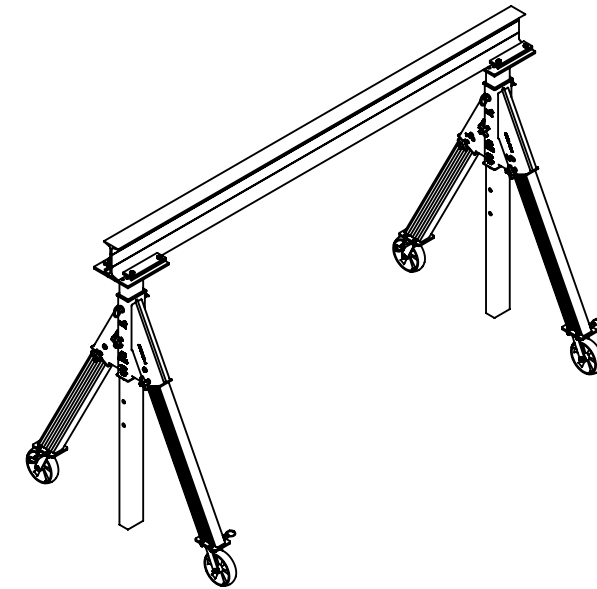
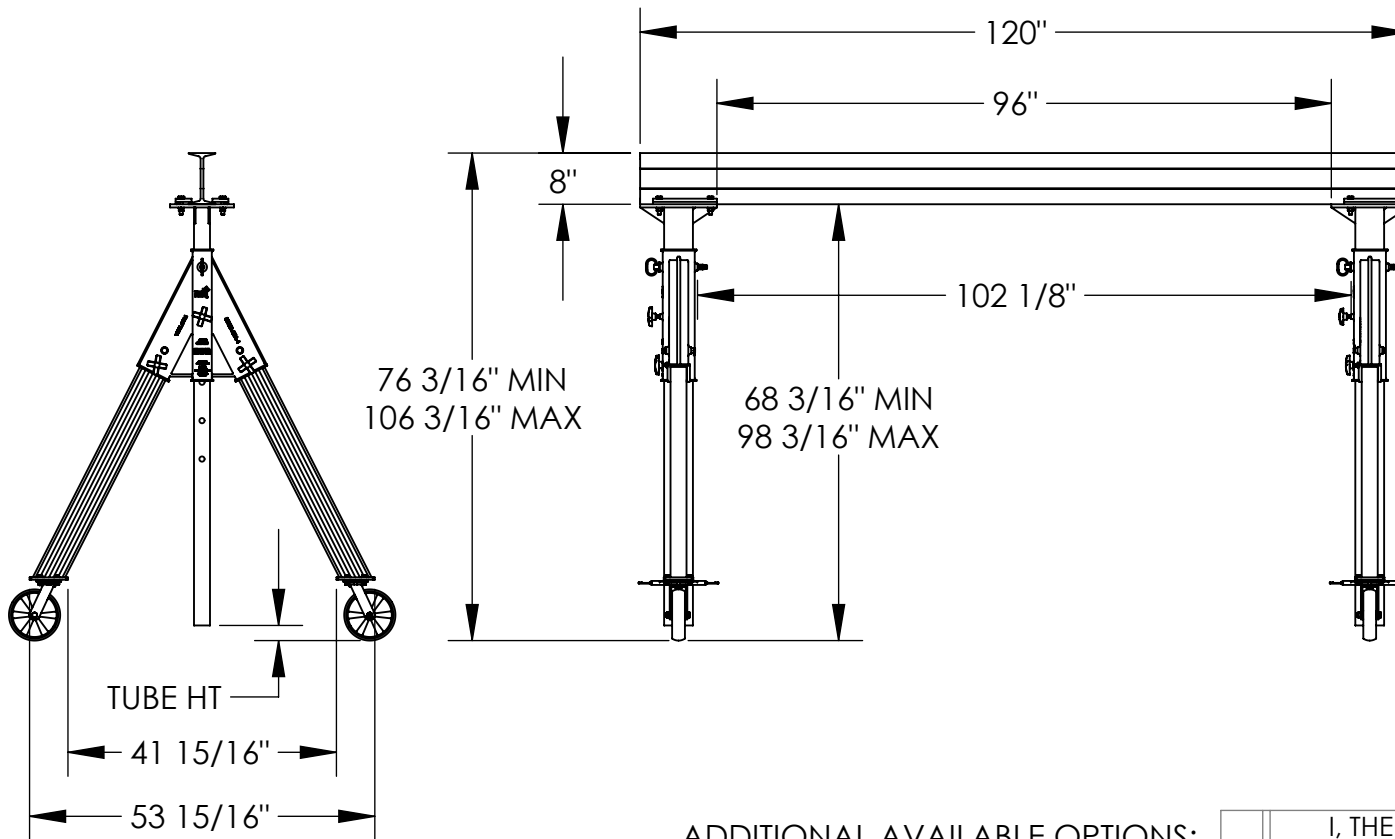


ALUMINUM GANTRY CRANE - AHA-4-10-8

APPROX WEIGHT: 243.41 lbs.
DOES NOT INCLUDE WEIGHT OF POWER OR PACKAGING!!!

*** ANY ADDITIONS, DELETIONS, OR OMISSIONS MUST BE CORRECTED ON THIS DRAWING AS THIS DRAWING WILL BE CONSIDERED ALL INCLUSIVE ***

ALL GRAPHICS PROVIDED ARE FOR REFERENCE ONLY. IF CERTAIN DIMENSIONS ARE CRITICAL PLEASE VERIFY THOSE DIMENSIONS WITH YOUR SALESPERSON



3D VIEW SHOWN FOR REFERENCE ONLY

STANDARD FEATURES

MODEL NUMBER IS AHA-4-10-8
CAPACITY IS 4,000 LBS.
OVERALL BASE WIDTH IS 53 15/16"
USABLE BASE WIDTH IS 41 15/16"
OVERALL I-BEAM LENGTH IS 120"
USABLE I-BEAM LENGTH IS 96"
I-BEAM HEIGHT IS 8"
UNDER I-BEAM CLEARANCE IS 68 3/16" TO 98 3/16"
TUBE HEIGHT IS 2 1/4" MIN., 32 1/4" MAX.
STRADDLE LENGTH IS 102 1/8"
Ø8" SWIVEL CASTERS W/4 POSITION LOCK

ADDITIONAL AVAILABLE OPTIONS:

MANUAL TROLLIES		
1,000# CAPACITY	2,000# CAPACITY	4,000# CAPACITY
QIT-1	QIT-2	QIT-4
E-MT-1	E-MT-2	E-MT-2
E-MT-1-C	E-MT-2-C	E-MT-4-C

**CAPACITY OF ATTACHMENTS MAY DERATE CAPACITY OF GANTRY CRANE

SPECIAL FEATURES

NONE

I, THE UNDERSIGNED, AGREE THAT THE PRODUCT AS REPRESENTED SATISFIES DESIGN AND DIMENSION REQUIREMENTS. I ALSO ACKNOWLEDGE MY DUTY TO CONFIRM PRODUCT AND INSTALLATION COMPLIANCE WITH ALL APPLICABLE FEDERAL, STATE AND LOCAL REGULATIONS AND STANDARDS.

ALL SPECIAL UNITS ARE NON-RETURNABLE
[] As drawn [] As marked

Signed: _____ Date: _____

LEAD TIME WILL START UPON RECEIPT OF SIGNED APPROVAL DRAWING

DISTRIBUTOR'S NAME:		P.O.#
VESTIL MANUFACTURING		X
DRAWN BY: ND	DATE: 3/25/11	W.O.#
REFERENCE: X	SCALE: 1:30	X
QUOTED LEAD TIME: X	QUOTE #	SALES: X
	X	FILE NAME:
		28-007-227