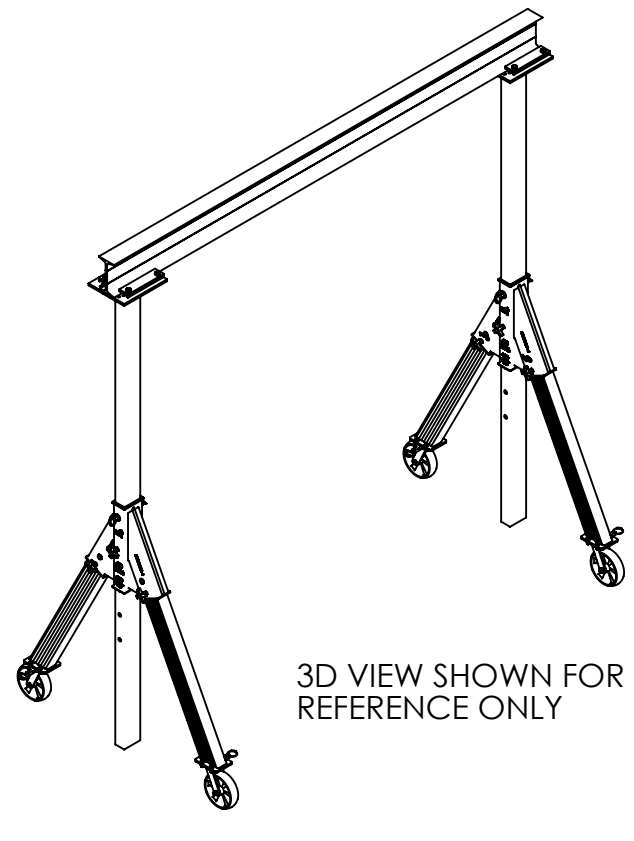
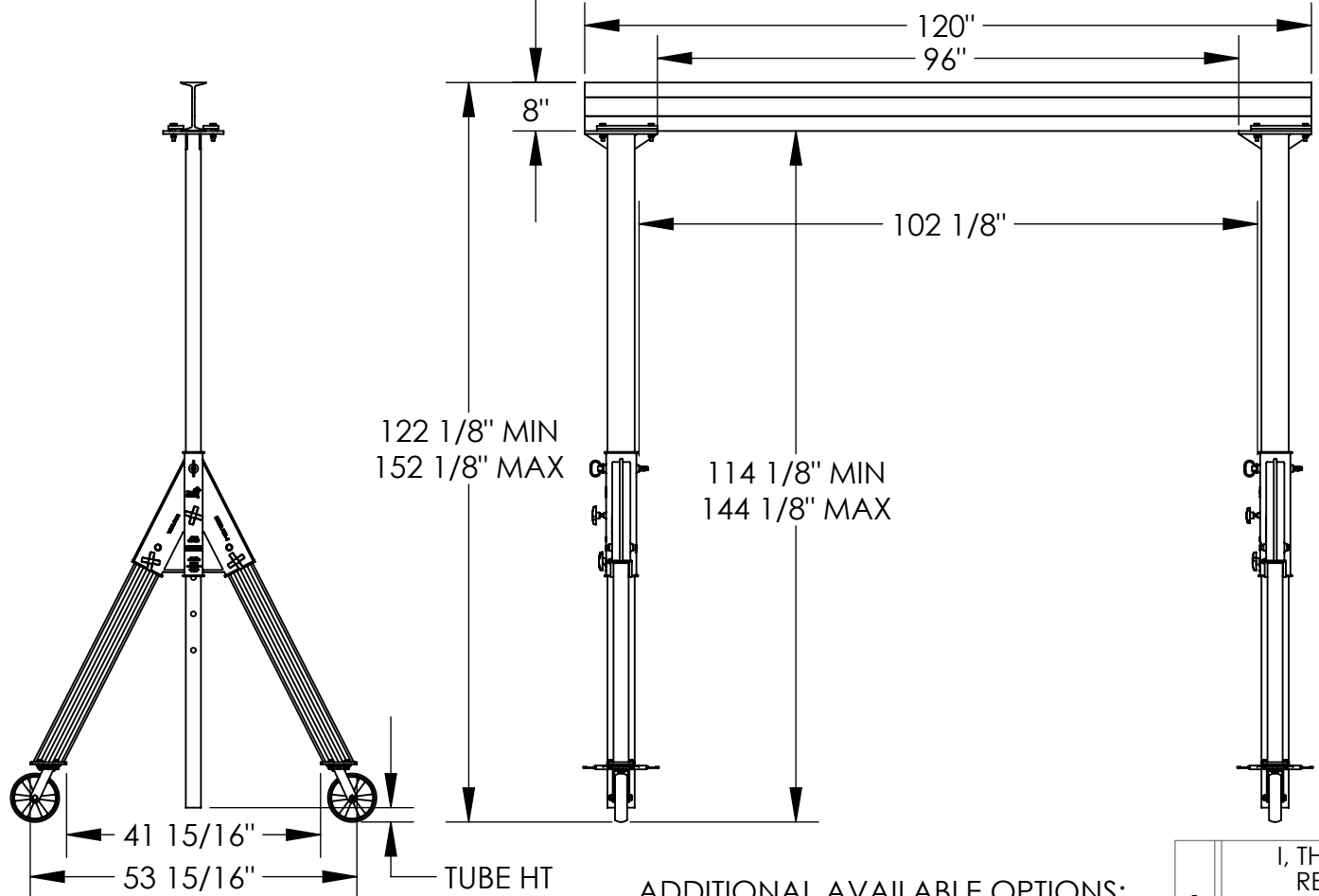


# ALUMINUM GANTRY CRANE - AHA-4-10-12

APPROX WEIGHT: 266.91 lbs.  
DOES NOT INCLUDE WEIGHT OF POWER OR PACKAGING!!!

\*\*\* ANY ADDITIONS, DELETIONS, OR OMISSIONS MUST BE CORRECTED ON THIS DRAWING AS THIS DRAWING WILL BE CONSIDERED ALL INCLUSIVE \*\*\*  
ALL GRAPHICS PROVIDED ARE FOR REFERENCE ONLY. IF CERTAIN DIMENSIONS ARE CRITICAL PLEASE VERIFY THOSE DIMENSIONS WITH YOUR SALESPERSON



3D VIEW SHOWN FOR REFERENCE ONLY

## STANDARD FEATURES

MODEL NUMBER IS AHA-4-10-12  
CAPACITY IS 4,000 LBS.  
OVERALL BASE WIDTH IS 53 15/16"  
USABLE BASE WIDTH IS 41 15/16"  
OVERALL I-BEAM LENGTH IS 120"  
USABLE I-BEAM LENGTH IS 96"  
I-BEAM HEIGHT IS 8"  
UNDER I-BEAM CLEARANCE IS 114 1/8" TO 144-1/8"  
TUBE HEIGHT IS 2 1/4" MIN., 32 1/4" MAX.  
STRADDLE LENGTH IS 102 1/8"  
Ø8" SWIVEL CASTERS W/4 POSITION LOCK

## SPECIAL FEATURES

NONE

## ADDITIONAL AVAILABLE OPTIONS:

| MANUAL TROLLIES |                 |                 |
|-----------------|-----------------|-----------------|
| 1,000# CAPACITY | 2,000# CAPACITY | 4,000# CAPACITY |
| QIT-1           | QIT-2           | QIT-4           |
| E-MT-1          | E-MT-2          | E-MT-2          |
| E-MT-1-C        | E-MT-2-C        | E-MT-4-C        |

\*\*CAPACITY OF ATTACHMENTS MAY DERATE CAPACITY OF GANTRY CRANE

APPROVAL

I, THE UNDERSIGNED, AGREE THAT THE PRODUCT AS REPRESENTED SATISFIES DESIGN AND DIMENSION REQUIREMENTS. I ALSO ACKNOWLEDGE MY DUTY TO CONFIRM PRODUCT AND INSTALLATION COMPLIANCE WITH ALL APPLICABLE FEDERAL, STATE AND LOCAL REGULATIONS AND STANDARDS.  
**ALL SPECIAL UNITS ARE NON-RETURNABLE**  
[ ] As drawn [ ] As marked

Signed: \_\_\_\_\_ Date: \_\_\_\_\_

LEAD TIME WILL START UPON RECEIPT OF SIGNED APPROVAL DRAWING

|                      |  |                       |
|----------------------|--|-----------------------|
| DISTRIBUTOR'S NAME:  |  | P.O.#                 |
| VESTIL MANUFACTURING |  | X                     |
| DRAWN BY: ND         |  | DATE: 3/25/11         |
| REFERENCE: X         |  | SCALE: 1:30           |
| QUOTED LEAD TIME: X  |  | QUOTE # X             |
|                      |  | FILE NAME: 28-007-223 |