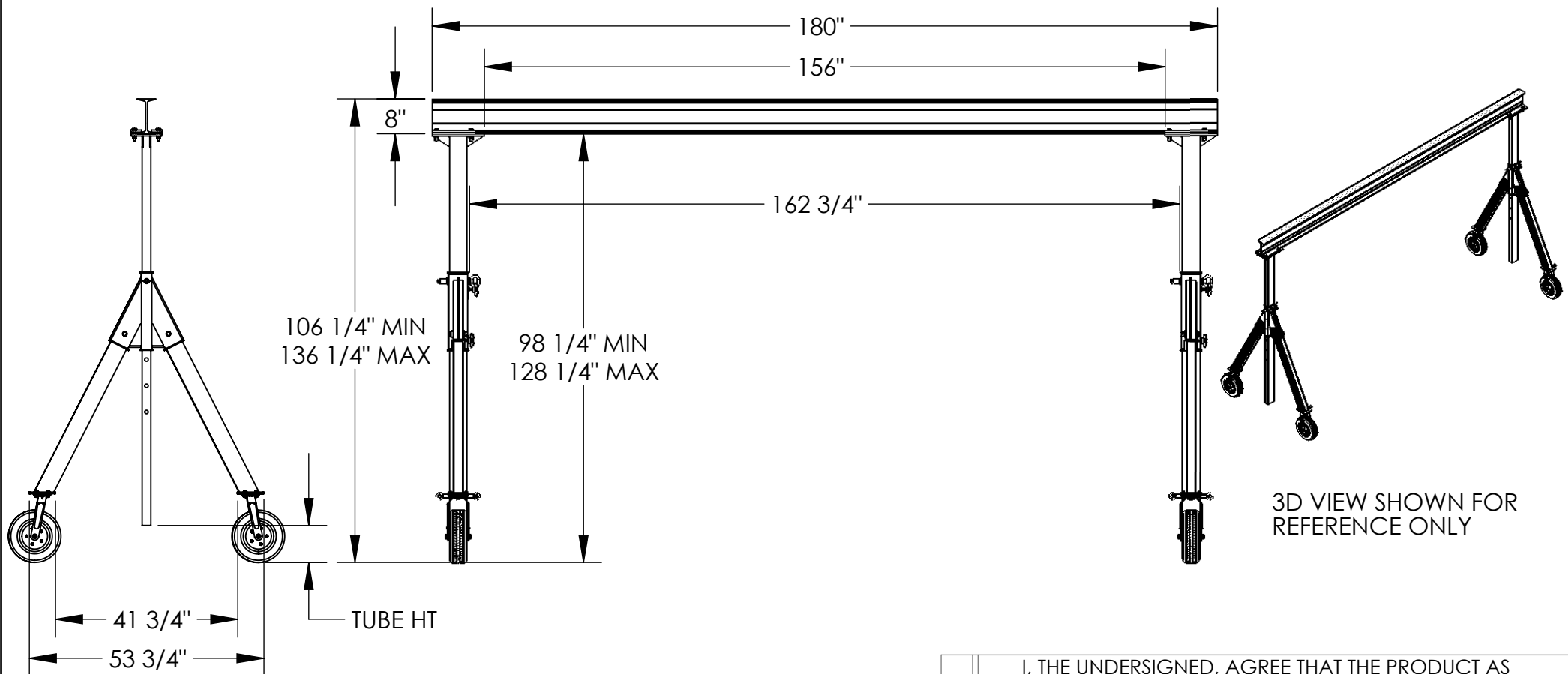


ADJUSTABLE ALUMINUM GANTRY CRANE - AHA-15-15-10-PNU APPROX WEIGHT: 317.09 lbs. DOES NOT INCLUDE WEIGHT OF POWER OR PACKAGING!!!

*** ANY ADDITIONS, DELETIONS, OR OMISSIONS MUST BE CORRECTED ON THIS DRAWING AS THIS DRAWING WILL BE CONSIDERED ALL INCLUSIVE ***
 ALL GRAPHICS PROVIDED ARE FOR REFERENCE ONLY. IF CERTAIN DIMENSIONS ARE CRITICAL PLEASE VERIFY THOSE DIMENSIONS WITH YOUR SALESPERSON



STANDARD FEATURES

MODEL NUMBER IS AHA-15-15-10-PNU
 CAPACITY IS 1,500 LBS.
 OVERALL BASE WIDTH IS 53 3/4"
 USABLE BASE WIDTH IS 41 3/4"
 OVERALL I-BEAM LENGTH IS 180"
 USABLE I-BEAM LENGTH IS 156"
 I-BEAM HEIGHT IS 8"
 UNDER I-BEAM TO GROUND:
 98 1/4" MIN., 128 1/4" MAX.
 TUBE HEIGHT: 8 1/2" MIN., 38 1/2" MAX.
 CASTERS: (4) Ø12" PNEUMATIC SWIVEL
 W/ FOUR POSITION LOCK

*CAPACITY OF ATTACHMENTS MAY
 DERATE CAPACITY OF GANTRY CRANE*

SPECIAL FEATURES

NONE

ADDITIONAL OPTIONS:

MANUAL TROLRIES
1,000 # CAPACITY
QIT-1
E-MT-1
E-MT-1-C

APPROVAL

I, THE UNDERSIGNED, AGREE THAT THE PRODUCT AS REPRESENTED SATISFIES DESIGN AND DIMENSION REQUIREMENTS. I ALSO ACKNOWLEDGE MY DUTY TO CONFIRM PRODUCT AND INSTALLATION COMPLIANCE WITH ALL APPLICABLE FEDERAL, STATE AND LOCAL REGULATIONS AND STANDARDS.
ALL SPECIAL UNITS ARE NON-RETURNABLE
 As drawn As marked

Signed: _____ Date: _____

LEAD TIME WILL START UPON RECEIPT OF SIGNED APPROVAL DRAWING

DISTRIBUTOR'S NAME:		P.O.#
VESTIL MANUFACTURING		X
DRAWN BY: ND		W.O.#
DATE: 7/12/13		X
REFERENCE: X	SCALE: 1:33	SALES: X
QUOTED LEAD TIME: X	QUOTE # X	FILE NAME:
		28-007-295