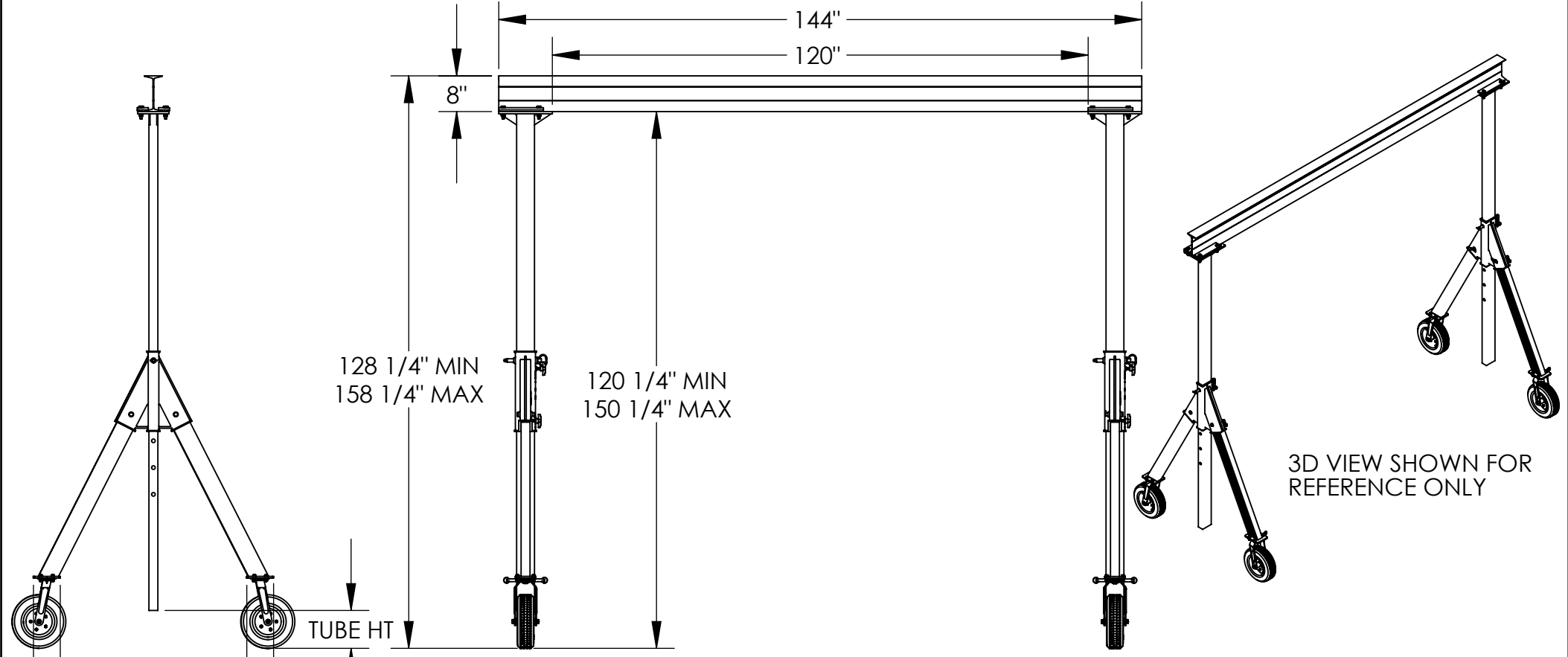


# ADJUSTABLE ALUMINUM GANTRY CRANE - AHA-15-12-12-PNU APPROX WEIGHT: 275.92 lbs. DOES NOT INCLUDE WEIGHT OF POWER OR PACKAGING!!!

\*\*\* ANY ADDITIONS, DELETIONS, OR OMISSIONS MUST BE CORRECTED ON THIS DRAWING AS THIS DRAWING WILL BE CONSIDERED ALL INCLUSIVE \*\*\*  
ALL GRAPHICS PROVIDED ARE FOR REFERENCE ONLY. IF CERTAIN DIMENSIONS ARE CRITICAL PLEASE VERIFY THOSE DIMENSIONS WITH YOUR SALESPERSON



## STANDARD FEATURES

MODEL NUMBER IS AHA-15-12-12-PNU  
CAPACITY IS 1,500 LBS.  
OVERALL BASE WIDTH IS 53 3/4"  
USABLE BASE WIDTH IS 41 3/4"  
OVERALL I-BEAM LENGTH IS 144"  
USABLE I-BEAM LENGTH IS 120"  
I-BEAM HEIGHT IS 8"  
UNDER I-BEAM TO GROUND:  
120 1/4" MIN., 150 1/4" MAX.  
TUBE HEIGHT: 8 1/2" MIN., 38 1/2" MAX.  
CASTERS: (4) Ø12" PNEUMATIC SWIVEL  
W/ FOUR POSITION LOCK

\*CAPACITY OF ATTACHMENTS MAY  
DERATE CAPACITY OF GANTRY CRANE\*

## SPECIAL FEATURES

NONE

ADDITIONAL OPTIONS:

MANUAL TROLLIES
1,000 # CAPACITY
QIT-1
E-MT-1
E-MT-1-C

APPROVAL

I, THE UNDERSIGNED, AGREE THAT THE PRODUCT AS REPRESENTED SATISFIES DESIGN AND DIMENSION REQUIREMENTS. I ALSO ACKNOWLEDGE MY DUTY TO CONFIRM PRODUCT AND INSTALLATION COMPLIANCE WITH ALL APPLICABLE FEDERAL, STATE AND LOCAL REGULATIONS AND STANDARDS.  
**ALL SPECIAL UNITS ARE NON-RETURNABLE**  
[ ] As drawn [ ] As marked

Signed: \_\_\_\_\_ Date: \_\_\_\_\_

LEAD TIME WILL START UPON RECEIPT OF SIGNED APPROVAL DRAWING

DISTRIBUTOR'S NAME:		P.O.#
VESTIL MANUFACTURING		X
DRAWN BY:	DATE:	W.O.#
ND	7/12/13	X
REFERENCE:	SCALE:	FILE NAME:
X	1:32	28-007-293
QUOTED LEAD TIME:	QUOTE #	
X	X	