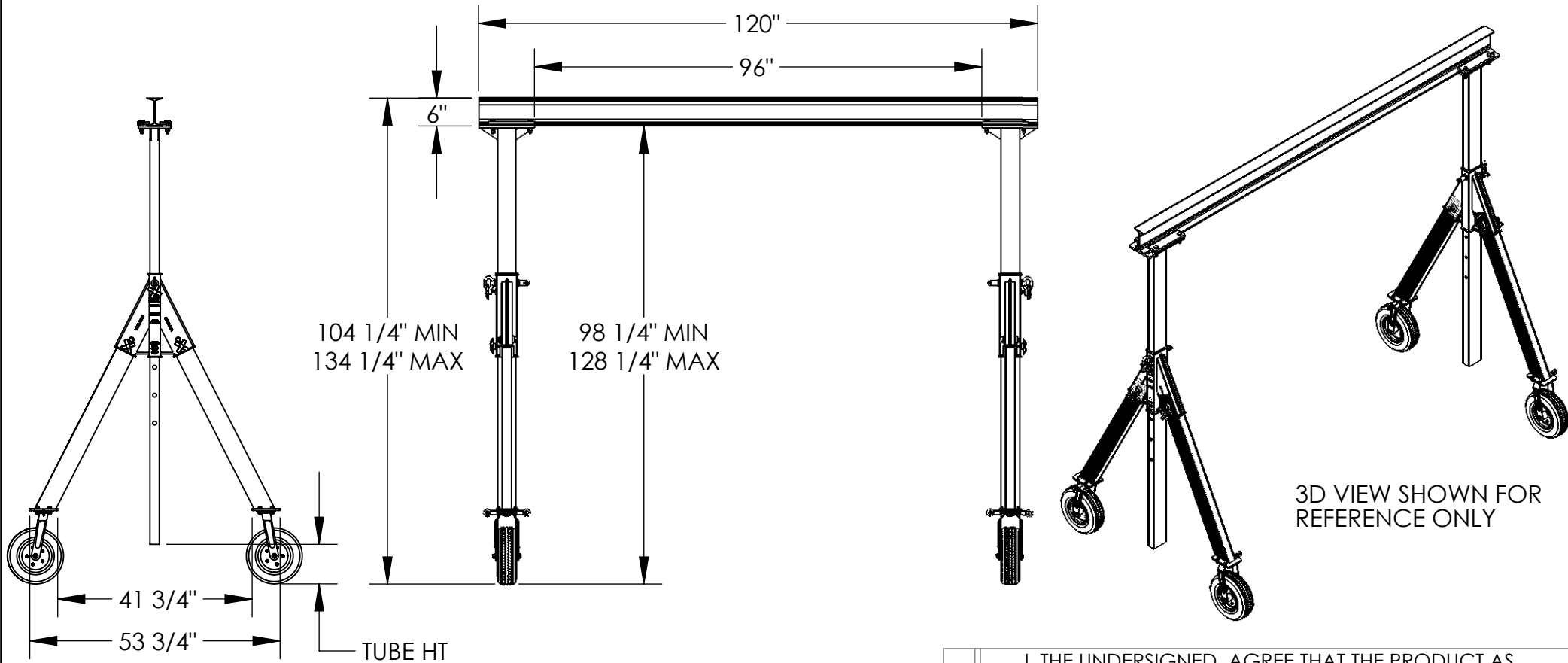


# ADJUSTABLE ALUMINUM GANTRY CRANE - AHA-15-10-10-PNU APPROX WEIGHT: 244.16 lbs. DOES NOT INCLUDE WEIGHT OF POWER OR PACKAGING!!!

\*\*\* ANY ADDITIONS, DELETIONS, OR OMISSIONS MUST BE CORRECTED ON THIS DRAWING AS THIS DRAWING WILL BE CONSIDERED ALL INCLUSIVE \*\*\*  
ALL GRAPHICS PROVIDED ARE FOR REFERENCE ONLY. IF CERTAIN DIMENSIONS ARE CRITICAL PLEASE VERIFY THOSE DIMENSIONS WITH YOUR SALESPERSON



## STANDARD FEATURES

MODEL NUMBER IS AHA-15-10-10-PNU  
CAPACITY IS 1,500 LBS.  
OVERALL BASE WIDTH IS 53 3/4"  
USABLE BASE WIDTH IS 41 3/4"  
OVERALL I-BEAM LENGTH IS 120"  
USABLE I-BEAM LENGTH IS 96"  
UNDER I-BEAM TO GROUND:  
98 1/4" MIN., 128 1/4" MAX.  
TUBE HEIGHT: 8 1/2" MIN., 38 1/2" MAX.  
STRADDLE I.D. IS APPROX. 41 3/4"  
I-BEAM HEIGHT IS 6"  
CASTERS: (4) Ø12" PNEUMATIC SWIVEL  
W/ FOUR POSITION LOCK

\*CAPACITY OF ATTACHMENTS MAY  
DERATE CAPACITY OF GANTRY CRANE\*

## SPECIAL FEATURES

NONE

ADDITIONAL OPTIONS:

MANUAL TROLRIES
1,000 # CAPACITY
QIT-1
E-MT-1
E-MT-1-C

APPROVAL

I, THE UNDERSIGNED, AGREE THAT THE PRODUCT AS REPRESENTED SATISFIES DESIGN AND DIMENSION REQUIREMENTS. I ALSO ACKNOWLEDGE MY DUTY TO CONFIRM PRODUCT AND INSTALLATION COMPLIANCE WITH ALL APPLICABLE FEDERAL, STATE AND LOCAL REGULATIONS AND STANDARDS.  
**ALL SPECIAL UNITS ARE NON-RETURNABLE**  
[ ] As drawn [ ] As marked

Signed: \_\_\_\_\_ Date: \_\_\_\_\_

LEAD TIME WILL START UPON RECEIPT OF SIGNED APPROVAL DRAWING

DISTRIBUTOR'S NAME:		P.O.#
VESTIL MANUFACTURING		X
DRAWN BY: ND		W.O.#
DATE: 7/11/13		X
REFERENCE: X	SCALE: 1:31	SALES: X
QUOTED LEAD TIME: X	QUOTE #	FILE NAME:
	X	28-007-289