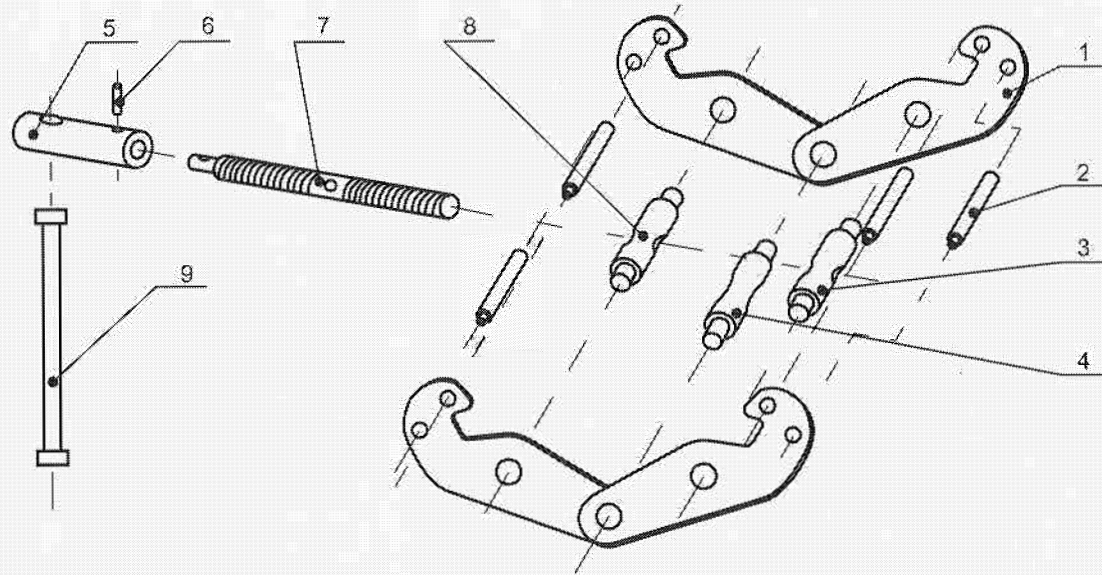


BEAM CLAMP SPARE PARTS



1. Side plate	2. Stay	3. Lever thread spindle	4. Equalizer pin
5. Lever handle link cover	6. Socket head cap screw	7. Screw mandrel	8. Dexter thread spindle
9. Handle			