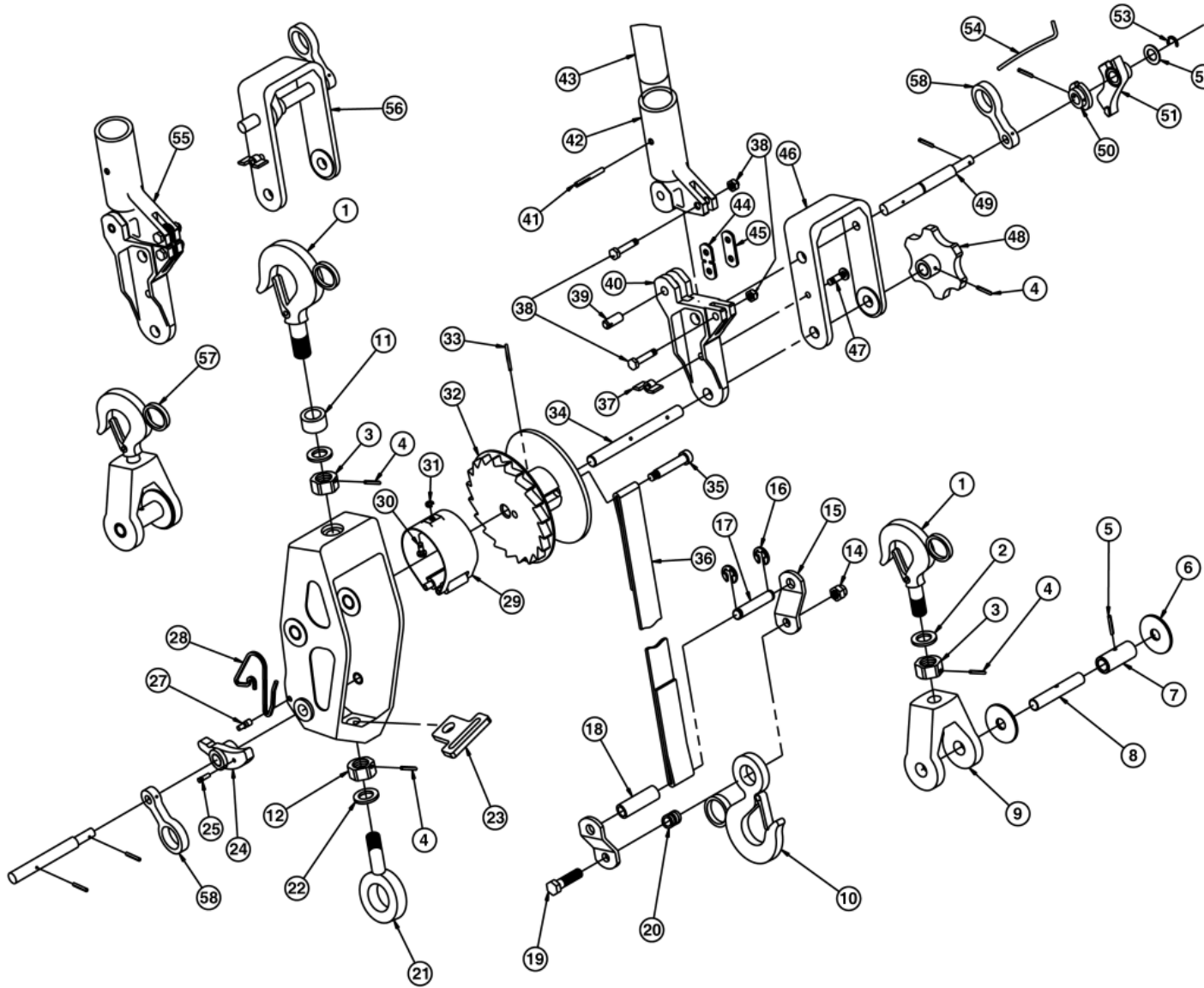


# LUG-ALL<sup>®</sup>

## MODEL 4B



DWG. REF. #	PART #	DESCRIPTION	QTY. REQ.
1	582	HOOK LATCHING TYPE	2
2	181	HOOK WASHER	2
3	182	HOOK NUT	2
4	123	HOOK NUT PIN	8
5	549	PULLEY PIN	1
6	544	PULLEY WASHERS (SET OF 2)	1
7	545	PULLEY TUBE	1
8	533	PULLEY SHAFT	1
9	573	YOKE	1
10	583	HOOK, LATCHING EYE TYPE	1
11	534	HOOK SPACER	1
12	122	HOOK NUT	1
14	528	EYE HOOK ATTATCH NUT	1
15	523	SIDE LINK (SET OF 2)	1
16	347A	WEB ATT. PIN RET. RING (2)	1
17	524	WEB ATT. PIN (W/ RINGS)	1
18	525	WEB ATTATCH BUSHING	1
19	527	EYE HOOK ATTATCH SCREW	1
20	530	EYE HOOK BUSHING	1
21	165	EYE BOLT (W/ LOCKING PIN)	1
22	118	HOOK WASHER	1
23	577	WEB GUIDE	1
24	203	MAIN FRAME PAWL	1
25	201	SPRING ANCHOR PIN OR PAWL	1
26	584	MAIN FRAME PAWL SHAFT	1
27	202	SPRING ANCHOR AND PAWL STOP	1
28	200	MAIN FRAME PAWL SPRING	1
29	520	WEB SHIELD ASSEMBLY	1
30	161	CABLE SHIELD PIN (W/ RING)	1
31	162	CABLE SH. PIN RET. RING	2
32	551	DRUM	1
33	134	DRUM SHAFT LOCKING PIN	1
34	354	DRUM SHAFT	1
35	512	DRUM ANCHOR SCREW	1
36	571	WEB STRAP	1
37	119	WING NUT	1
38	521B	THREADED LINK PINS (W/ NUTS)	1
39	537	PIVOT PIN	1
40	576	SIDE BAR	1
41	517	GROOVE PIN	1
42	575	SOCKET	1
43	570	HANDLE TUBE W/ GRIP	1
44	572	STRESS LINK	1
45	519	OVERLOAD LINK	1
46	578	U FRAME	1
47	133	HANDLE BOLT	1
48	352	WIND UP WHEEL (W/ PIN)	1
49	585	U FRAME SHAFT	1
50	586	SPRING POSITIONER	1
51	216	U FRAME PAWL	1
52	291	RETAINING WASHER	1
53	111	SHAFT SNAP WASHER	1
54	195	U FRAME PAWL SPRING	1
55	575Z	HANDLE ASS. W/O TUBE	1
56	855B	U FRAME ASSEMBLY	1
57	823B	PULLEY BLOCK ASSEMBLY	1
58	587	HOT STICK LEVER	2