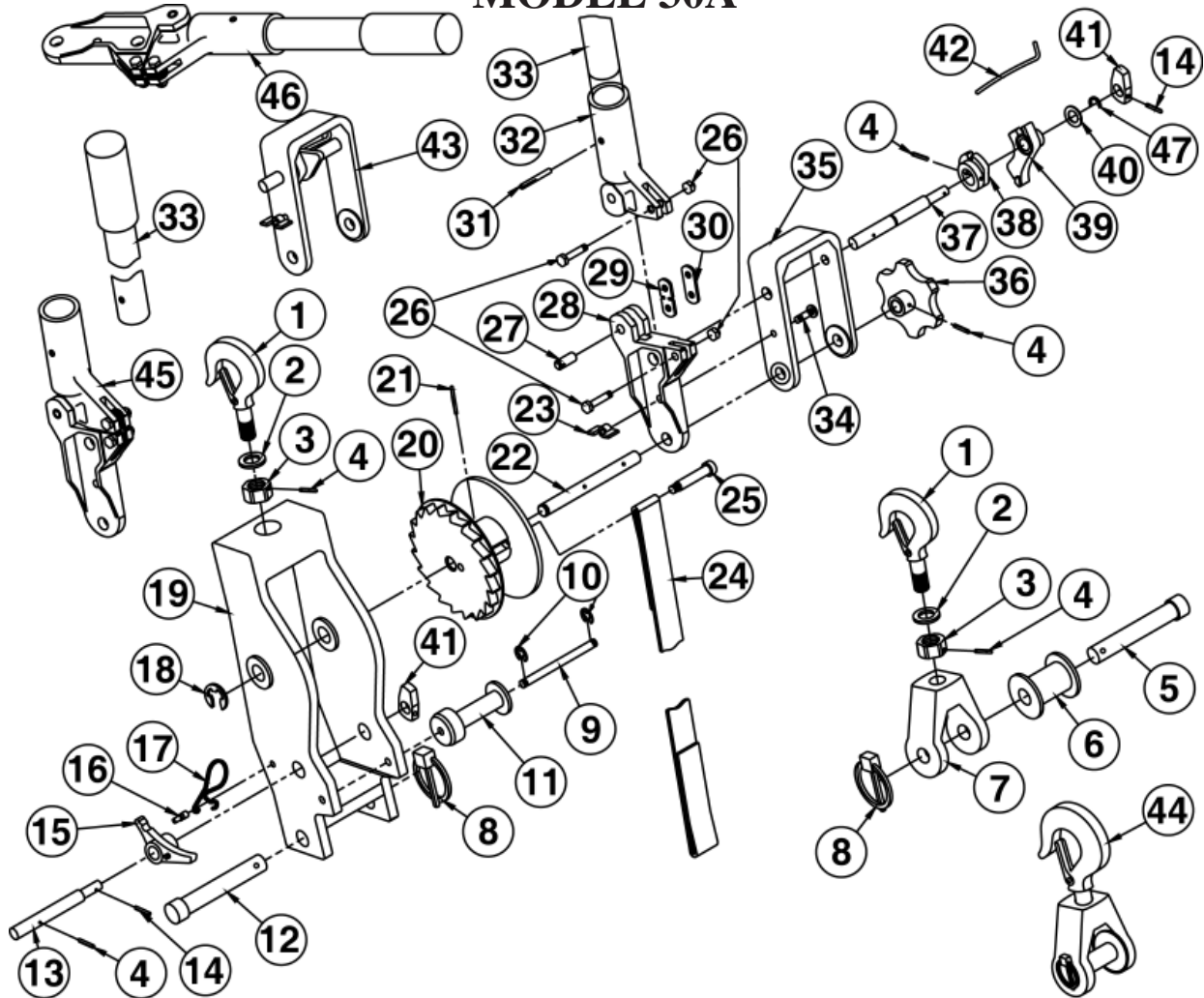


# LUG-ALL® MODEL 30A



DWG REF. #	PART#	DESCRIPTION	QTY. REQ
1	138B	#3 SAFETY SHANK HOOK	2
2	118	HOOK WASHER	2
3	122	HOOK NUT	2
4	123	HOOK NUT PIN	4
5	490	PULLEY SHAFT	1
6	459	PULLEY	1
7	460	YOKE	1
8	491	LYNCH PIN	2
9	462	GUIDE ROLL PIN	1
10	696	RETAINING RING	2
11	461	GUIDE ROLL	1
12	465	WEB ANCHOR PIN	1
13	463	MAIN FRAME PAWL SHAFT	1
14	549	ROLL PIN	2
15	113	MAIN FRAME PAWL	1
16	464	SPRING ANCHOR & PAWL STOP	1
17	131	MAIN FRAME PAWL SPRING	1
18	347	RETAINING RING	1
19	455	MAIN FRAME	1
20	456	DRUM	1
21	134	DRUM SHAFT LOCKING PIN	1
22	457	DRUM SHAFT	1
23	119	WING NUT	1
24	458	WEB STRAP	1

DWG REF. #	PART#	DESCRIPTION	QTY. REQ
25	607	DRUM ANCHOR SCREW	1
26	613-B	THREADED LINK PINS W/NUTS (2)	1
27	537	PIVOT PIN	1
28	540A2	SIDE BAR	1
29	636	STRESS LINK	1
30	624	OVERLOAD LINK	1
31	517	GROOVE PIN	1
32	515A2	SOCKET	1
33	470	HANDLE TUBE W/ GRIP	1
34	133	HANDLE BOLT	1
35	343B	U-FRAME	1
36	352	WIND UP WHEEL	1
37	467	U-FRAME SHAFT	1
38	486	SPRING POSITIONER	1
39	403	U-PAWL	1
40	291	RETAINING WASHER	1
41	488	REVERSE LEVER	2
42	130	U-FRAME PAWL SPRING	1
43	857	U-FRAME ASSEMBLY	1
44	834	PULLEY BLOCK ASSEMBLY	1
45	612-636	HANDLE ASSEMBLY W/O TUBE	1
46	469	MODEL 30A HANDLE ASSEMBLY	1
47	111	SNAP SHAFT WASHER	1