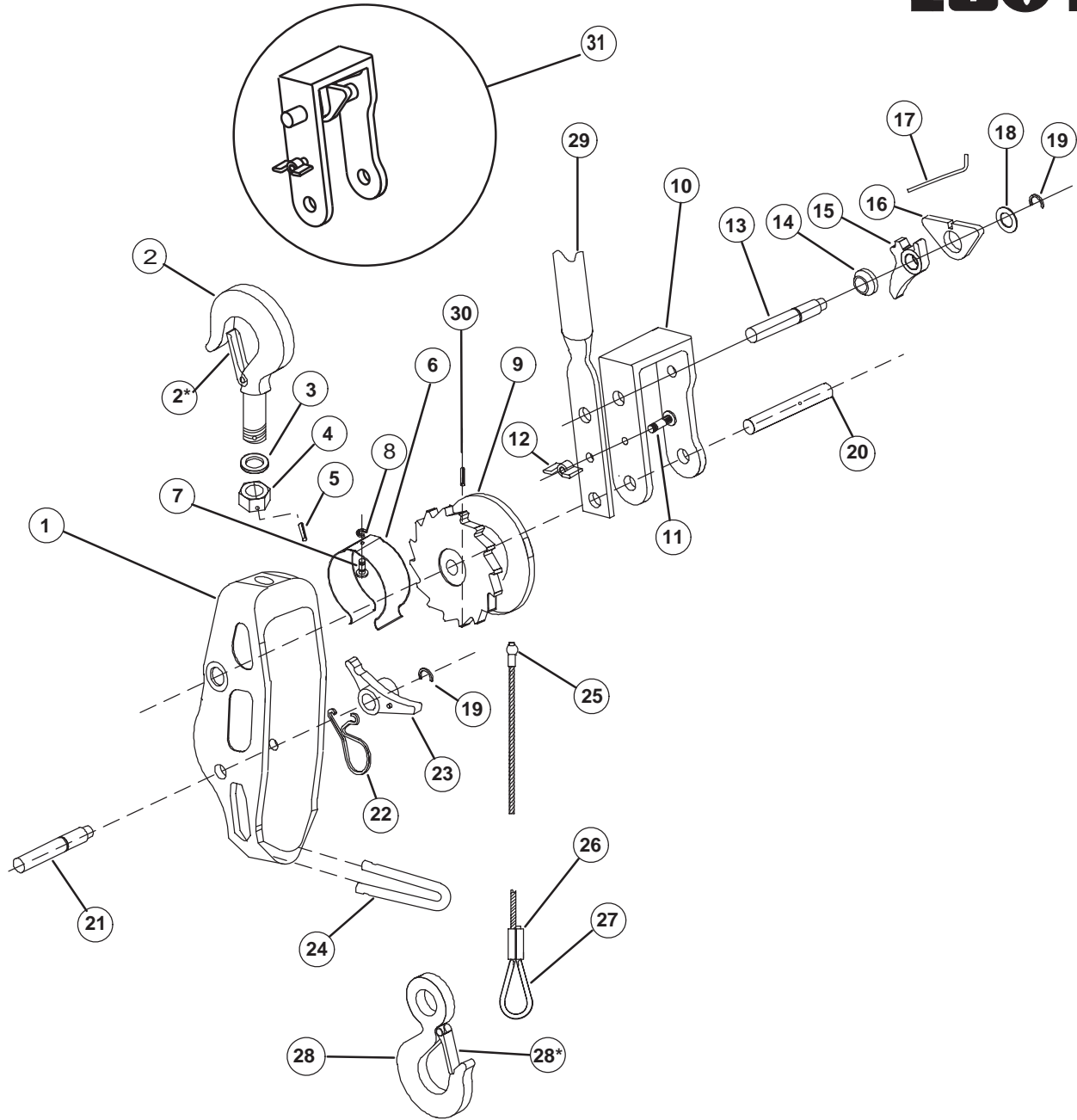


Model 1000-15SH



Drawing Ref No.	Description	Qty Req'd	Lug-All Part No
1	Main Frame W/Bushings	1	160
2	Shank Hook W/Latch	1	138
2*	Safety Hook Latch Repair Kit	1	263
3	Hook Washer	1	118
4	Hook Nut	1	122
5	Hook Nut Locking Pin	1	123
6	Cable Shield Assembly	1	115
7	Cable Shield Pin	1	161
8	Cable Shield Retaining Ring	1	162
9	Drum	1	261
10	U-Frame (W/Handle Bolt)	1	151
11	Handle Bolt	1	133
12	Wing Nut	1	119
13	U-Frame Pawl Shaft	1	128
14	Spring Support Roll	1	289
15	U-Frame Pawl	1	103

Drawing Ref No.	Description	Qty Req'd	Lug-All Part No
16	Reverse Lever	1	288
17	U-Frame Spring	1	130
18	Reverse Lever Washer	1	291
19	Shaft Snap Washer	2	111
20	Drum Shaft	1	129
21	Main Frame Pawl Shaft	1	127
22	Main Frame Pawl Spring	1	131
23	Main Frame Pawl	1	113
24	Cable Guide	1	104
25	Cable and Drum Anchor	1	136
26	Sleeve Type Cable Clamp	1	125
27	Thimble	1	139
28	Eye Hook With Latch	1	137
28*	Safety Hook Latch Repair Kit	1	263
29	Reversible Handle Blue	1	262
30	Drum Shaft Locking Pin	1	134
31	Complete U-Frame Assembly	1	851