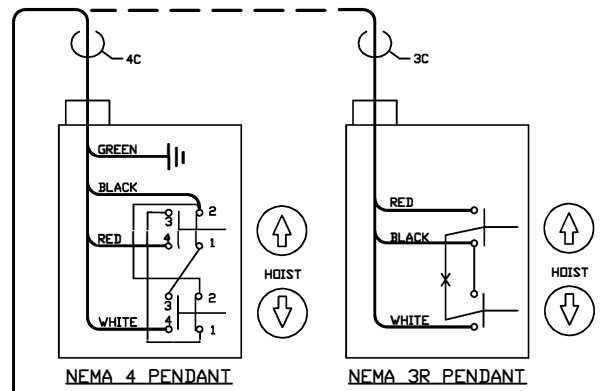


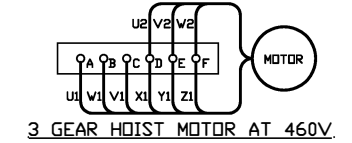
ELECTRIC CHAIN HOIST

MODEL: ER1A & NER1A
 ⚠ FOR: 1/8 TO 5 TON SINGLE SPEED HOIST.
 VOLTAGE: 208-230/460-3-60
 ⚠ NOTES: 1) WRAP RED TAPE ON GREEN CONDUCTOR WHICH IS NOT USED FOR GROUNDING PURPOSES.
 2) IN THE 3C PENDANT, RED MAY BE GREEN/RED.

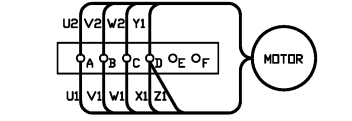


NEMA 4 PENDANT

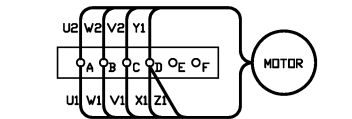
NEMA 3R PENDANT



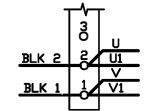
3 GEAR HOIST MOTOR AT 460V.



2 GEAR HOIST MOTOR AT 208-230V.



3 GEAR HOIST MOTOR AT 208-230V.



TRANSFORMER CONNECTION AT 208-230V

UNITS LISTED BY GEAR REDUCTION FOR MOTOR TERMINAL CONNECTIONS

2 GEAR	3 GEAR
ER001H	ER005L
ER003S	ER010L
ER003H	ER015S
ER005S	ER020L
ER010S	ER030L
ER020S	ER030S
ER025S	NER010L
ER050L	NER015S
NER001H	NER020L
NER003S	NER030L
NER003H	NER030S
NER005L	
NER005S	
NER010S	
NER010M	
NER020S	
NER020M	
NER025S	
NER030C	
NER050L	

6	REARRANGED CHART AND VIEWS	BAO	8/26/02	---	---
5	SEE ECN 329 - ADD NER010M, NER020M & NER030C	KPN	2/6/02	BAO	2/6/02
4	ADDED TITLE BLOCK PER ECN303	BAO	8/20/01	---	---
3	CHANGED 10L TO 5	KPN	10/15/99	---	---
2	ADDED NOTES, REDRAWN	TAF	3/25/99	---	---
1	SWAPPED BLK1 & BLK2	TAF	1/26/99	---	---
NO.	REVISION DESCRIPTION	DRAWN BY	DATE	CHECKED BY	DATE

TOLERANCES (EXCEPT AS NOTED)	WIRING DIAGRAM				
DECIMAL: +/-	NARRINGTON HOISTS AND CRANES				
FRACTIONAL: +/-	DRAWN BY: BAO	SCALE: FIT	DRAWING NO: 61100	REV. N: 6	
ANGULAR: +/-	CHK'D BY: BRD	DATE: 11/16/98			