

---

# OWNER'S MANUAL

---

## **ELECTRIC CHAIN HOIST ED SERIES**

125 through 525 Lb. Capacity

Code, Lot and Serial Number

### **⚠ WARNING**

This equipment should not be installed, operated or maintained by any person who has not read and understood all the contents of this manual. Failure to read and comply with the contents of this manual can result in serious bodily injury or death, and/or property damage.

**HARRINGTON**  
HOISTS AND CRANES

## Table of Contents

Section	Page Number
1.0 Important Information and Warnings .....	4
1.1 Terms and Summary	
1.2 Warning Tags and Labels	
2.0 Technical Information.....	8
2.1 Specifications	
2.2 Dimensions	
2.3 Part Names	
3.0 Pre-operational Procedures .....	13
3.1 Fill Gear Box with Oil	
3.2 Chain	
3.3 Load Chain Lubrication	
3.4 Chain Container	
3.5 Mounting Location	
3.6 Mounting the Hoist	
3.7 Electrical Connections	
3.8 Mini Trolley Installation	
3.9 Pre-operational Checks and Trial Operation	
4.0 Operation .....	20
4.1 Introduction	
4.2 Shall's and Shall Not's for Operation	
4.3 Hoist Controls	
4.4 Electric Chain Hoist with Trolley	

<b>Section</b>	<b>Page Number</b>
5.0	Inspection ..... 25
5.1	General
5.2	Inspection Classification
5.3	Frequent Inspection
5.4	Periodic Inspection
5.5	Occasionally Used Hoists
5.6	Inspection Records
5.7	Inspection Methods and Criteria
6.0	Maintenance & Handling ..... 32
6.1	Lubrication
6.2	Load Chain
6.3	Mechanical Load Brake with Friction Clutch
6.4	Fuses
6.5	Storage
6.6	Outdoor Installation
7.0	Troubleshooting ..... 36
8.0	Warranty ..... 39
9.0	Parts List ..... 40

## 1.0 Important Information and Warnings

### 1.1 Terms and Summary

This manual provides important information for personnel involved with the installation, operation and maintenance of this product. Although you may be familiar with this or similar equipment, it is strongly recommended that you read this manual before installing, operating or maintaining the product.

#### Danger, Warning, Caution and Notice

Throughout this manual there are steps and procedures that can present hazardous situations. The following signal words are used to identify the degree or level of hazard seriousness.

**⚠ DANGER** Danger indicates an imminently hazardous situation which, if not avoided, **will** result in **death or serious injury**, and property damage.

**⚠ WARNING** Warning indicates an imminently hazardous situation which, if not avoided, **could** result in **death or serious injury**, and property damage.

**⚠ CAUTION** Caution indicates a potentially hazardous situation which, if not avoided, **may** result **minor or moderate injury** or property damage.

**NOTICE** Notice is used to notify people of installation, operation, or maintenance information which is important but not directly hazard-related.

### **⚠ CAUTION**

These general instructions deal with the normal installation, operation, and maintenance situations encountered with the equipment described herein. The instructions should not be interpreted to anticipate every possible contingency or to anticipate the final system, crane, or configuration that uses this equipment. For systems using the equipment covered by this manual, the supplier and owner of the system are responsible for the system's compliance with all applicable industry standards, and with all applicable federal, state and local regulations/codes.

This manual includes instructions and parts information for a variety of hoist types. Therefore, all instructions and parts information may not apply to any one type or size of specific hoist. Disregard those portions of the instructions that do not apply.

Record your hoist's Code, Lot and Serial Number (see Section 9) on the front cover of this manual for identification and future reference to avoid referring to the wrong manual for information or instructions on installation, operation, inspection, maintenance, or parts.

Use only Harrington authorized replacement parts in the service and maintenance of this hoist.

## **WARNING**

Equipment described herein is not designed for and **MUST NOT** be used for lifting, supporting, or transporting people, or for lifting or supporting loads over people.

Equipment described herein should not be used in conjunction with other equipment unless necessary and/or required safety devices applicable to the system, crane, or application are installed by the system designer, system manufacturer, crane manufacturer, installer, or user.

Modifications to upgrade, rerate, or otherwise alter this equipment shall be authorized only by the original equipment manufacturer.

Equipment described herein may be used in the design and manufacture of cranes or monorails. Additional equipment or devices may be required for the crane and monorail to comply with applicable crane design and safety standards. The crane designer, crane manufacturer, or user is responsible to furnish these additional items for compliance. Refer to ANSI/ASME B30.17, "Safety Standard for Top-Running Single Girder Cranes"; ANSI/ASME B30.2 "Safety Standard for Top-Running Double-Girder Cranes"; and ANSI/ASME B30.11 "Safety Standard for Underhung Cranes and Monorails".

If a below-the-hook lifting device or sling is used with a hoist, refer to ANSI/ASME B30.9, "Safety Standard for Slings" or ANSI/ASME B30.20, "Safety Standard for Below-the-Hook Lifting Devices".

Hoists and cranes, used to handle hot molten material may require additional equipment or devices. Refer to ANSI Z241.2, "Safety Requirements for Melting and Pouring of Metals in the Metalcasting Industry".

Electrical equipment described herein is designed and built in compliance with Harrington's interpretation of ANSI/NFPA 70, "National Electrical Code". The system designer, system manufacturer, crane designer, crane manufacturer, installer, or user is responsible to assure that the installation and associated wiring of these electrical components is in compliance with ANSI/NFPA 70, and all applicable Federal, State and Local Codes.

Failure to read and comply with any one of the limitations noted herein can result in serious bodily injury or death, and/or property damage.

## **DANGER**

**HAZARDOUS VOLTAGES ARE PRESENT IN THE CONTROL BOX, OTHER ELECTRICAL COMPONENTS, AND CONNECTIONS BETWEEN THESE COMPONENTS.**

Before performing ANY mechanical or electrical maintenance on the equipment, de-energize (disconnect) the main switch supplying power to the equipment; and lock and tag the main switch in the de-energized position. Refer to ANSI Z244.1, "Personnel Protection – Lockout/Tagout of Energy Sources".

Only trained and competent personnel should inspect and repair this equipment.

## **NOTICE**

It is the responsibility of the owner/user to install, inspect, test, maintain, and operate a hoist in accordance with ANSI/ASME B30.16, "Safety Standard for Overhead Hoists", OSHA Regulations and ANSI/NFPA 70, National Electric Code. If the hoist is installed as part of a total lifting system, such as an overhead crane or monorail, it is also the responsibility of the owner/user to comply with the applicable ANSI/ASME B30 volume that addresses that type of equipment.

It is the responsibility of the owner/user to have all personnel that will install, inspect, test, maintain, and operate a hoist read the contents of this manual and applicable portions of ANSI/ASME B30.16, "Safety Standard for Overhead Hoists", OSHA Regulations and ANSI/NFPA 70, "National Electric Code". If the hoist is installed as part of a total lifting system, such as an overhead crane, the applicable ANSI/ASME B30 volume that addresses that type of equipment must also be read by all personnel.

If the hoist owner/user requires additional information, or if any information in the manual is not clear, contact Harrington or the distributor of the hoist. Do not install, inspect, test, maintain, or operate this hoist unless this information is fully understood.

A regular schedule of inspection of the hoist in accordance with the requirements of ANSI/ASME B30.16 should be established and records maintained.

## 1.2 Warning Tags and Labels

The warning tag illustrated below in Figure 1-1 is supplied with each hoist shipped from the factory. If the tag is not attached to your hoist's pendant cord or cylinder control, order a tag from your dealer and install it. Read and obey all warnings attached to this hoist. Tag is not shown actual size.

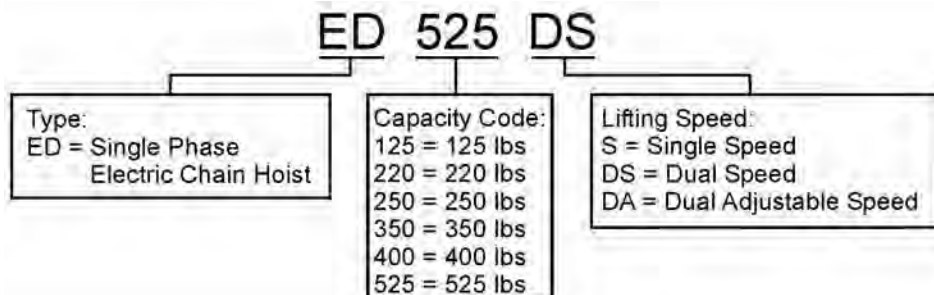


Figure 1-1 Warning Tag Attached to Hoist

## 2.0 Technical Information

### 2.1 Specifications

#### 2.1.1 Product Code



#### 2.1.2 Features and General Specifications

- Push Button Pendant Control – On S & DS Models
- One-Hand Cylinder Control – On DA Model
- Weight/Size – Light weight and compact size, easy to install, move, or store
- Double Braking System – A Weston style load brake and a regenerative brake
- Low Headroom – Die cast aluminum body provides low headroom, perfect for tight quarters
- Upper Limit Switch – ED III Model Only
- Over-Travel Protection – Friction clutch integrated with load brake and engineered to protect the hoist from overwinding
- Ergonomic Design – (DA Models) Designed for one-hand control and precision loading
- Smooth Operation – Gears are immersed in an oil bath and have deep groove ball and needle bearings to support rotating components
- Quick Disconnect Hook – (DA Models) Convenient for other below the hook devices
- Corrosion Resistant Load Chain – Nickel-plated, heat treated alloy chain for long life
- Chain Container – Standard

#### 2.1.3 Operating Conditions and Environment

- Temperature range: -4° to +104°F (-20° to +40°C)
- Humidity: 85% or less
- Noise Level: 83 dB or less (A scale: measured 1meter away from electric chain hoist)
- Enclosure Rating:

Hoist Body	IP54
Push Button Pendant	IP65
Cylinder with bellow	IP44
Cylinder without bellow	IP22
- Supply Voltage: Standard 120V-1-60
- ASME Duty Classification: H2

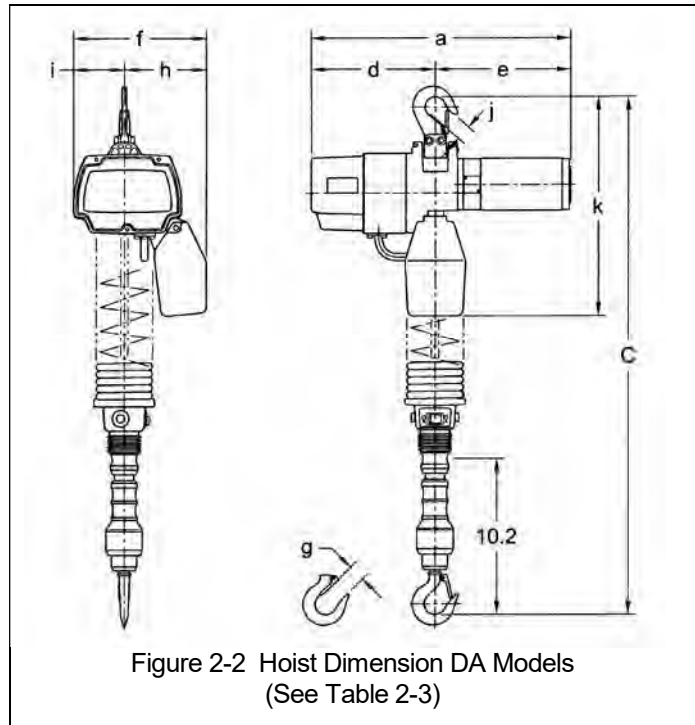
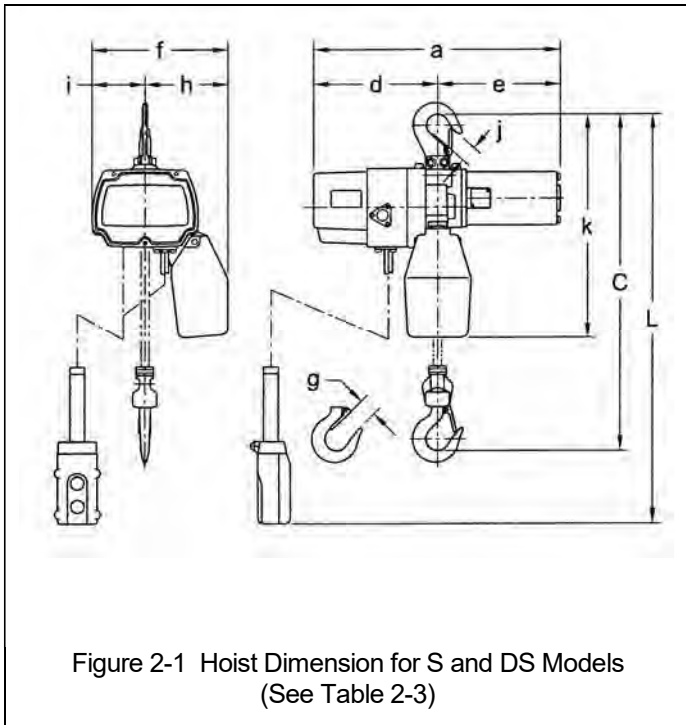


Table 2-1 Hoist Motor Rating									
Cap. (lbs.)	Product Code			Motor		Intermittent Duty Rating		Short Time Duty Rating (min)	Rated Current at 120V (amps)
	Single Speed S Model	Dual Speed DS Model	Dual Adjustable DA Model	Output (Hp)	Rated Current at 115V (Amps)	Duty Rating % ED	Max. Start Freq. (Times/Hr)		
125	ED125S	ED125DS	ED125DA	0.4	5	30	180	15	5
220	ED220S	ED220DS	ED220DA						
250	ED250S	ED250DS	ED250DA						
350	ED350S	ED350DS	ED350DA	0.8	10	30	180	20	10
400	ED400S	ED400DS	ED400DA	0.4	6	20	120	10	6
525	ED525S	ED525DS	ED525DA	0.8	10	30	180	20	10

Table 2-2 Hoist Specifications												
Cap. (lbs.)	Product Code			Lifting Speed (ft/min)		Load Chain Wire Diameter (mm) x Chain Fall Lines	Load Sheave Pockets	Net Weight (lbs.)			Weight for Additional One Foot of Lift (lbs.)	
	Single Speed S Model	Dual Speed DS Model	Dual Adjustable DA Model	S Model	DS & DA Model			S Model	DS Model	DA Model	S Model	DS Model
125	ED125S	ED125DS	ED125DA	69	69/13	4.0 x 1	4	23	24	31	0.26	0.29
220	ED220S	ED220DS	ED220DA	43	43/10							
250	ED250S	ED250DS	ED250DA	26	26/10							
350	ED350S	ED350DS	ED350DA	66	66/13							
400	ED400S	ED400DS	ED400DA	26	26/10							
525	ED525S	ED525DS	ED525DA	44	44/10							

## 2.2 Dimensions

Table 2-3 Hoist Dimensions																								
Cap. (lbs)	Headroom C (in)				Standard Lift L (ft)		Push Button Cord L (ft)		a (in)	d (in)	e (in)	f (in)	g (in)	h (in)	i (in)	j (in)	k (in)							
	S & DS Model		DA Model		S & DS Model	DA Model	S & DS Model	S & DS Model																
	EDII	EDIII	EDII	EDIII																				
125	11.8	12.4	36.6	37.2	10	6	8	Coiled	14.6	7.4	7.2	8.1	1.0	4.9	3.1	1.0	13.4							
220																								
250																								
350	12.8	13.0	37.6	37.8														16.9	8.1	8.8	8.6	5.3	3.3	14.3
400	11.8	12.4	36.6	37.2														14.6	7.4	7.2	8.1	4.9	3.1	13.4
525	12.8	13.0	37.6	37.8														16.9	8.1	8.8	8.6	5.3	3.3	14.3



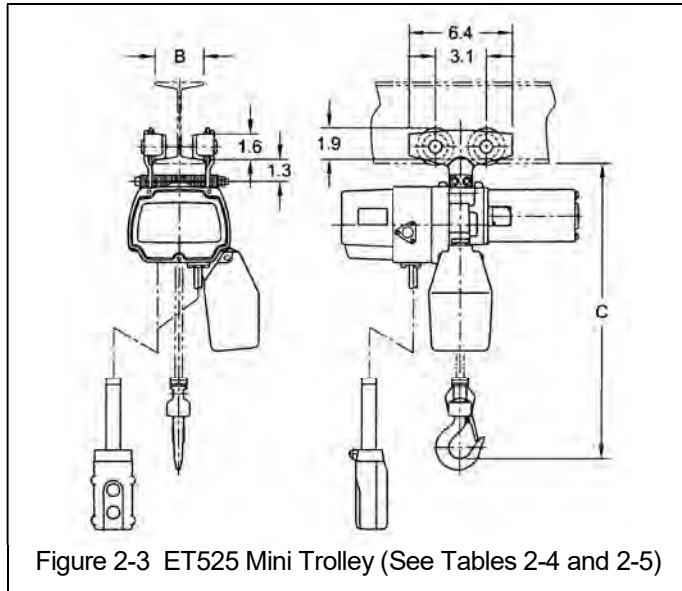


Figure 2-3 ET525 Mini Trolley (See Tables 2-4 and 2-5)

Maximum Capacity (lbs.)	Product Code	Adjustable Beam Width B (in)	Min. Radius for Curve (in)	Net Weight (lbs.)	Approx. Shpg. Weight (lbs.)
525	ET525	1.97 – 3.94	23.6	4.0	5.0

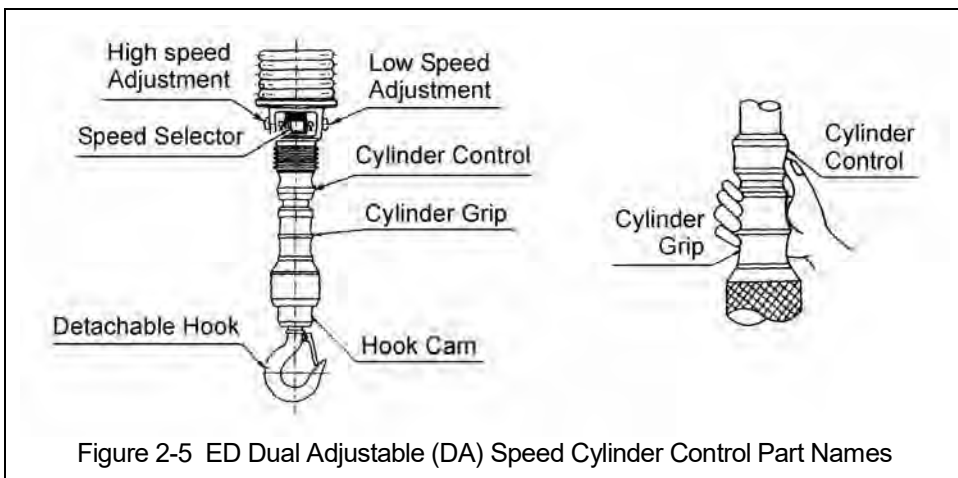
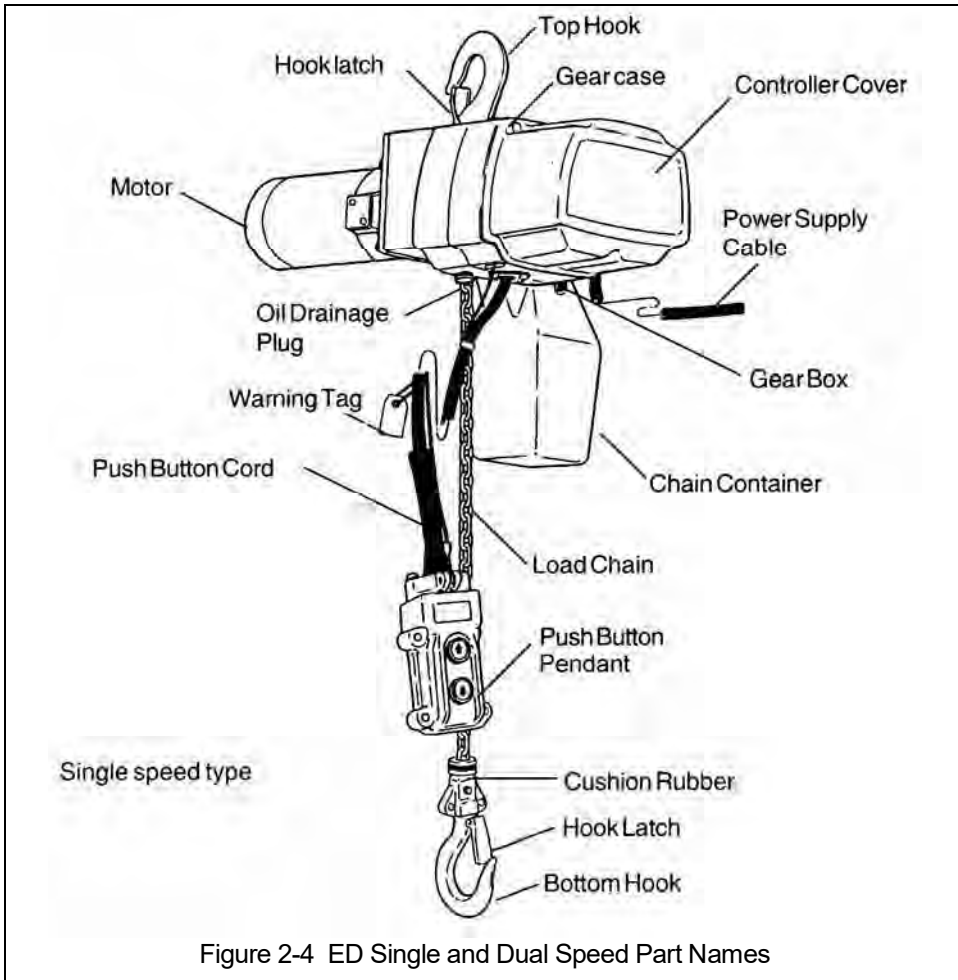
Cap. (lbs.)	Headroom C (in.)			
	ED II		ED III	
	S & DS Model	DA Model	S & DS Model	DA Model
125	9.9	34.5	10.5	35.3
220				
250				
350	10.9	35.7	11.1	35.9
400	9.9	34.5	10.5	35.3
525	10.9	35.7	11.1	35.9

Capacity (lbs.)	Hook	a (in)	b (in)	c (in)	d (in)	e (in)	f (in)	g (in)
125 to 525	Top	0.8	0.3	0.7	0.3	1.3	1.2	1.0
	Bottom	0.8	0.5	0.7	0.5	1.4	1.4	1.0

\*See Table 5-5 for discard dimensions.

Cap. (lbs)	Product Code	d (in)	a (in)	b (in)	P (in)
125 to 525	(All Models)	0.16	0.20	0.53	0.48

2.3 Part Names

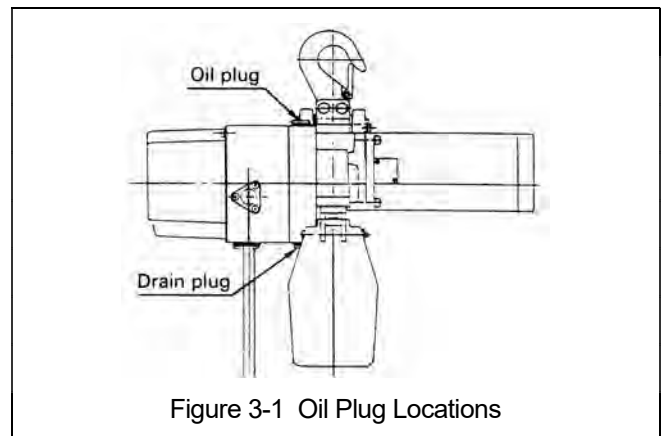


## 3.0 Pre-operational Procedures

### 3.1 Fill Gear Box with Oil

- 3.1.1 **⚠ CAUTION** Use only Harrington ED brand oil. The oil is specially blended and should be purchased from Harrington. Refer to parts list for part number.
- 3.1.2 For a new hoist the correct quantity and type of oil is pre-supplied in the gearbox.
- 3.1.3 Refer to Section 6.1 when replacing the gear oil or checking the gear oil level.

Capacity Code	quarts	liters
125	0.28	0.27
220		
250		
400		
350	0.37	0.35
525		



### 3.2 Chain

- 3.2.1 The quantity and location of the chain components including Cushion Rubbers, Washers and Stopper Assemblies depend on the hoist model, capacity. Never operate the hoist with incorrect, missing or damaged chain components. Refer to the hoist's nameplate, Table 3-2, and Figure 3-2 and ensure that all chain components are in the correct location and properly installed.

Capacity Code	Load Side	No Load Side
S & DS	Adjacent to bottom yoke	Last link
DA	13.8"-14.2"	Last link

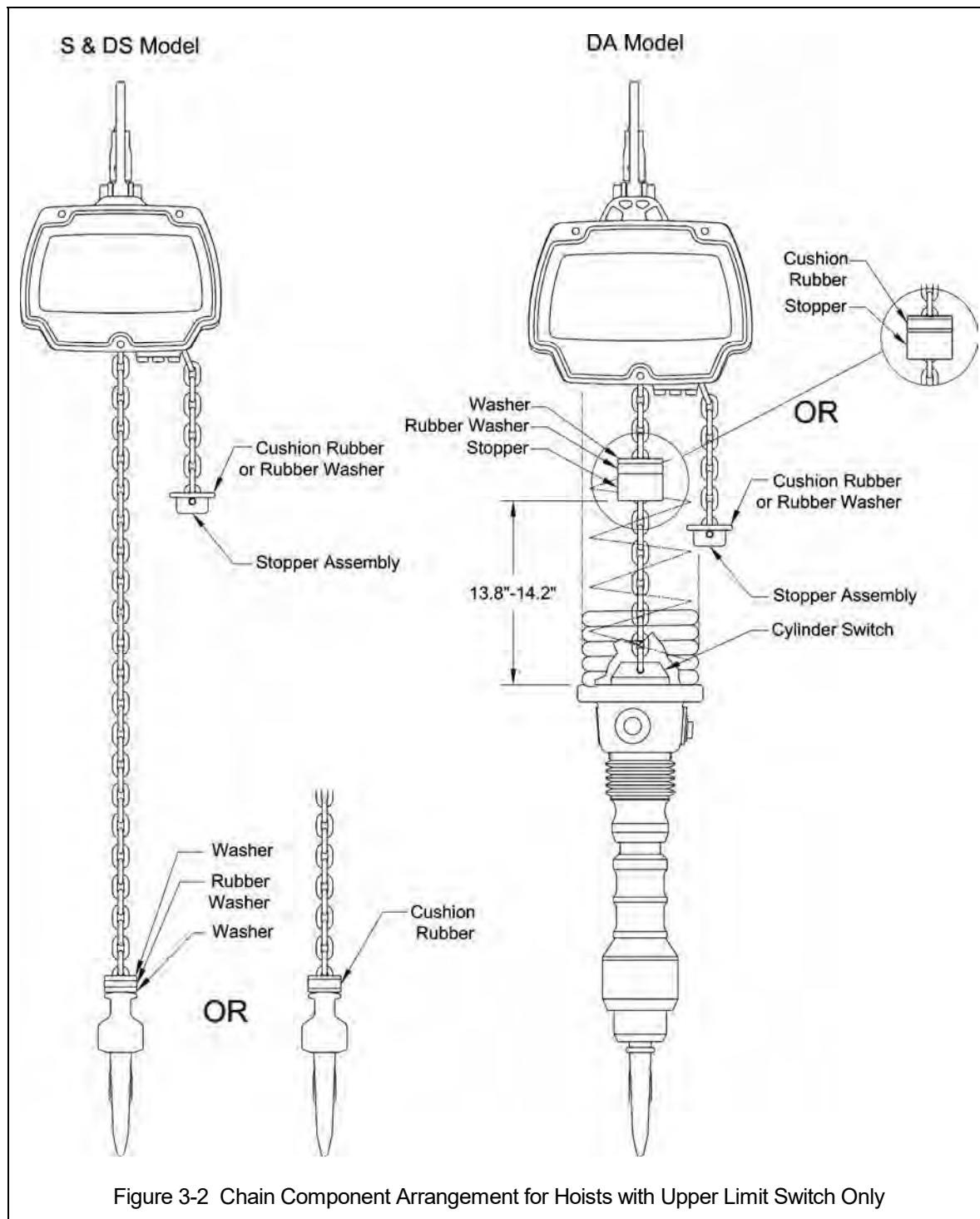


Figure 3-2 Chain Component Arrangement for Hoists with Upper Limit Switch Only

### 3.3 Load Chain Lubrication

3.3.1 Always lubricate load chain weekly, or more frequently, depending on severity of service.

3.3.2 **⚠ WARNING** Always make sure to apply ISO VG 46 or 48 or equivalent machine oil. Insufficient oil lubrication will accelerate Load Chain wear.

### 3.4 Chain Container

3.4.1 Follow the instructions below to install the Chain Container. Refer to Figure 3-3.

- 1) Feed the Load Chain into the Chain Container beginning with the no-load end. Take care to avoid twisting or tangling the Load Chain.
- 2) Attach the Chain Container to the Chain Guide (1) with the Socket Bolt (2) and the U-Nut (3).
- 3) Attach the Split Pin (4) to prevent the U-Nut (3) from backing off.
- 4) Bend the Split Pin ends 90° or more.
- 5) **⚠ CAUTION** Do not use the Chain Container if any parts are damaged or if any fasteners/hardware are missing.

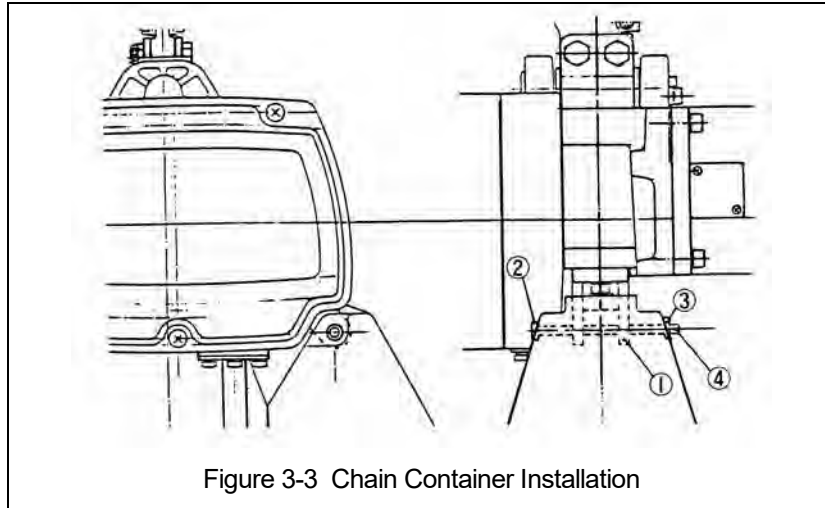


Figure 3-3 Chain Container Installation

### 3.5 Mounting Location

3.5.1 **⚠ WARNING** Prior to mounting the hoist ensure that the suspension and the supporting structure are adequate to support the hoist and its loads. If necessary consult a professional that is qualified to evaluate the adequacy of the suspension location and its supporting structure.

3.5.2 **NOTICE** See Section 6.6 for outdoor installation considerations

### 3.6 Mounting the Hoist

3.6.1 ET525 Mini Trolley – Refer to Section 3.8 for installation instructions

3.6.2 Manual Trolley - Follow instructions in Owner's Manual provided with the trolley.

3.6.3 Hook Mounted to a Fixed Location - Attach the hoist's top hook to the fixed suspension point.

3.6.4 **⚠ WARNING** Ensure that the fixed suspension point rests on the center of the hook's saddle and the hook's latch is engaged.

### 3.7 Electrical Connections

3.7.1 **⚠ CAUTION** Ensure that the voltage of the electric power supply is proper for the hoist or trolley.

3.7.2 **⚠ DANGER** Before proceeding, ensure that the electrical supply for the hoist or trolley has been de-energized (disconnected). Lock out and tag out in accordance with ANSI Z244.1 "Personnel Protection -Lockout/Tagout of Energy Sources".

3.7.3 This instruction applies to installations where the hoist is installed hook mounted to a fixed suspension point or installed on a manual trolley. In this case the hoist is controlled by a pendant with two push buttons – one for raising and one for lowering.

### Pendant Cord

The Pendant Cord is hard wired to the hoist. Make this connection as follows:

- 1.) Single and Dual Speed Models (S & DS)
  - Refer to Figure 3-4.
  - The Push Button Cord is factory installed onto the hoist body.
  - Attach the Strain Relief Wire (2) to Cable Support L (1).
- 2.) Dual Speed Cylinder Model (DA)
  - Refer to Figure 3-5.
  - The Coiled Push Button Cord is factory installed onto the hoist body.
  - Attach the Coiled Push Button Cord to the Chain Container with the Wire Tie provided, so that the Load Chain hangs in the center of the Coiled Cord and the clamp part of the Wire Tie faces up and away from the Load Chain.
- 3.) **⚠ WARNING** Short circuit and electric shock may result if the Push Button Cord is pulled when the Strain Relief Wire is not connected to the hoist body. ALWAYS make sure that the Strain Relief Wire is properly attached to the hoist body.
- 4.) **⚠ WARNING** To avoid wear between the Load Chain and the Chain Guide, straighten Load Chain before fitting the Coiled Cord to the Chain Container.
- 5.) **⚠ WARNING** To avoid damaging the Coiled Cord, attach the Chain Container so that the Wire Tie faces up and away from the Load Chain

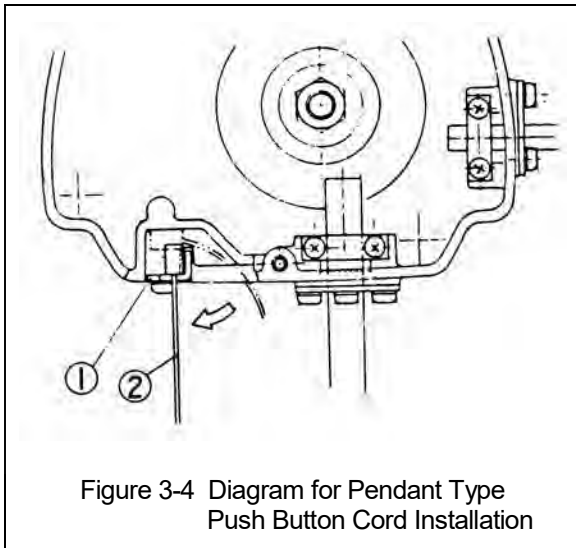


Figure 3-4 Diagram for Pendant Type Push Button Cord Installation

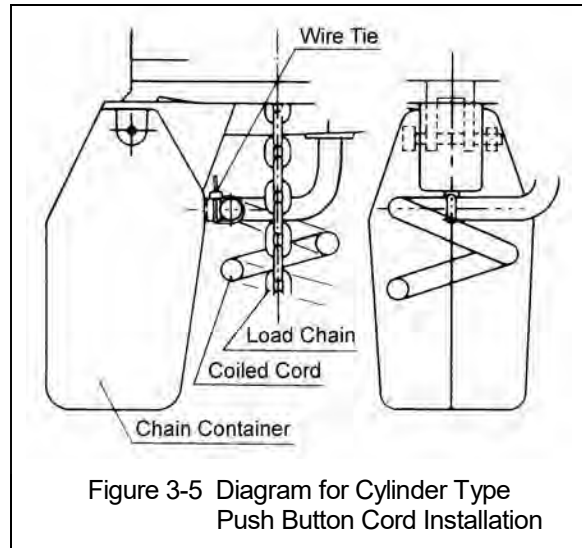


Figure 3-5 Diagram for Cylinder Type Push Button Cord Installation

### Power Supply Cable – Hoist Connection

A 14-gauge Power Supply Cable is supplied with hoist.

**⚠ CAUTION** When the power source is far away and an extension supply cable is required, use 3-conduction cable with an adequate gauge size.



## Power Supply Cable - Installation

If the hoist is hook mounted to a fixed support ensure that the Power Supply Cable is properly installed and supported between the hoist and the electrical power supply.

If the hoist is installed on a manual trolley, then the Power Supply Cable must be installed along the beam that the trolley runs on. For curved beams a special cable suspension system will be needed, and this instruction does not apply. For straight beams install the Power Supply Cable as follows:

- Install a Guide Wire System parallel to the beam.
  - For a manual trolley the Guide Wire should be positioned slightly outside the hoist's Cable Support.
- 3.7.4 Connection to Electrical Power Source - The white and black wires of the Power Supply Cable should be connected to an Electric Power Disconnect Switch or Circuit Breaker.
- 3.7.5 Fuse/Breaker Capacity - The hoist's power supply should be equipped with overcurrent protection such as fuses, which should be selected for 110% to 120% of total listed full load amperage, and should be dual element time-delay fuses. Refer to the motor nameplate for the full load amperage draw.
- 3.7.6 **⚠ DANGER** Grounding - An improper or insufficient ground connection creates an electrical shock hazard when touching any part of the hoist or trolley. In the Power Supply Cable the ground wire will be either Green with Yellow stripe or solid Green. It should always be connected to a suitable ground connection. Do not paint the trolley wheel running surfaces of the beam as this can affect grounding.

## 3.8 Mini Trolley Installation

- 3.8.1 Mini Trolley - Follow instructions below to install the trolley. Refer to Figure 3-6.
- 1) Remove the Top Hook Assembly from the hoist.
  - 2) Refer to Table 3-3 for placement of Adjusting Spacers for the flange width "B" of the traversing beam. The position of Adjusting Spacers differs with flange width. If the beam flange width is not listed in Table 3-3, use the next size smaller and make adjustments in accordance with step 3. Use all 32 Adjusting Spacers provided.

Table 3.3 Quantity and Position of Trolley Spacers					
Flange Width (in)	Number of spacers				
	Outside Left Frame	Inside Left Frame	Inside Yoke	Inside Right Frame	Outside Right Frame
2	8	6	4	6	8
2 5/16	6	7	4	8	7
2 1/2	6	8	4	8	6
2 11/16	5	8	4	9	6
2 13/16	5	9	4	9	5
3	4	10	4	10	4
3 1/4	3	11	4	11	3
3 5/16	3	11	4	11	3
3 9/16	2	12	4	12	2
3 11/16	1	12	4	13	2
3 7/8	0	13	4	14	1
3 15/16	0	14	4	14	0

- 3) Refer to Figure 3-6 and assemble the Trolley Frames, Adjusting Spacers and Socket Bolts onto the Top Yoke. Install and hand tighten the Hex Nuts on the Socket Bolts. Verify that dimension "A" is approximately 0.12 - 0.16 in (3-4mm) greater than "B" (flange width). If "A" does not fall within the specified range, move Adjusting Spacers from the inside of the Trolley Frame to the outside or from the outside to the inside as necessary to obtain the proper "A" dimension, irrespective of the numbers in Table 3-3.
- 4) Install the trolley and hoist onto traversing beam using one of the following 2 methods:
  - Preferred Method – Sliding adjusted the trolley connected with hoist onto the traversing beam from the beam end is the most convenient and recommended method. If the trolley can be mounted from the end of the beam then: Remove the trolley end-stop from the beam and set the trolley on the beam from the end. Securely re-install the trolley end stop on the beam.
  - Optional Method – If the trolley cannot be mounted from the end of the beam, loosen the Hex Nuts and spread the trolley Frames. Lift the trolley and hoist onto the beam from below. Push the trolley frames together, adjust the spacing as in accordance with Step 3 and hand tighten the hex Nuts.
- 5) Check for contact between all four Trolley Wheels and the rail surface. Shift the Trolley Frame until all Trolley Wheels rest on the rail surface. Tighten the Hex Nuts and install the two (2) U-Nuts onto the Socket Bolts tighten against the Hex Nuts. Install the Split Pins onto the Socket Bolts and bend securely.
- 6) **⚠ WARNING** Incorrect number of Adjusting Spacers may cause the trolley to not move or to drop. To avoid these hazards, always make sure to use all 32 spacers and confirm that  $A - B = 0.12 - 0.16$  in (3-4mm).
- 7) **⚠ WARNING** To prevent the trolley from dropping, firmly fasten the Socket Bolt, Nut and U-Nut. Insert Split Pin and bend the ends 90 degrees or more.

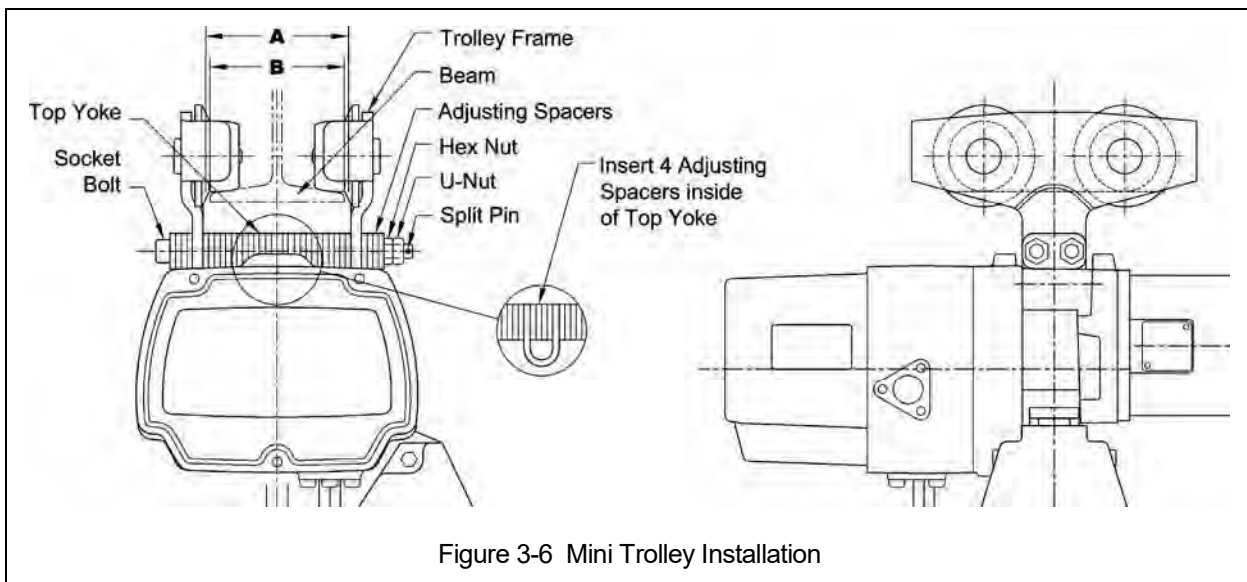


Figure 3-6 Mini Trolley Installation

- 3.8.2 **⚠ WARNING** For all trolley suspended electric chain hoists, rail stops must be installed at each end of the rail. Failure to install rail stops will allow the hoist and trolley to fall off the end of the rail and thus cause an accident that could result in injury and/ or property damage. The stops must be positioned so as to not exert impact force on the electric chain hoist frame or trolley wheels. They must contact the ends of the trolley side frames.

### 3.9 Pre-operational Checks and Trial Operation

- 3.9.1 **⚠ WARNING** Confirm the adequacy of the rated capacity for all slings, chains, wire ropes and all other lifting attachments before use. Inspect all load suspension members for damage prior to use and replace or repair all damaged parts.
- 3.9.2 **⚠ WARNING** Verify and correct all chain irregularities prior to operating the hoist. For reference see Section 3.2.
- 3.9.3 Measure and record the “k” dimension of all hooks on hoist. See Table 5-5 under Section 5, “Inspection”.
- 3.9.4 Record the hoist’s Code, Lot and Serial Number (from the name plate on the hoist; see Section 9) in the space provided on the cover of this manual.
- 3.9.5 Ensure that the hoist is properly installed to either a fixed point, or trolley, whichever applies
- 3.9.6 If hoist is installed on a trolley, ensure that
- trolley is properly installed on the beam, and
  - stops for the trolley are correctly positioned and securely installed on the beam.
- 3.9.7 Ensure that all nuts, bolts and split pins (cotter pins) are sufficiently fastened.
- 3.9.8 For S and DS Models - Pull down on the Pendant and ensure that the Cord Strain Relief Cable takes the force, not the Pendant Cord.
- 3.9.9 **⚠ CAUTION** Check supply voltage before everyday use. If the voltage varies more than 10% of the rated value, electrical devices may not function normally.
- 3.9.10 Confirm proper operation.
- Before operating read and become familiar with Section 4 - Operation.
  - Before operating ensure that the hoist (and trolley) meets the Inspection, Testing and Maintenance requirements of ANSI/ASME B30.16.
  - Before operating ensure that nothing will interfere with the full range of the hoist’s (and trolley’s) operation.

## 4.0 Operation

### 4.1 Introduction

#### **DANGER**

DO **NOT** WALK UNDER A SUSPENDED LOAD

#### **WARNING**

HOIST OPERATORS SHALL BE REQUIRED TO READ THE OPERATION SECTION OF THIS MANUAL, THE WARNINGS CONTAINED IN THIS MANUAL, INSTRUCTION AND WARNING LABELS ON THE HOIST OR LIFTING SYSTEM, AND THE OPERATION SECTIONS OF ANSI/ASME B30.16 and ANSI/ASME B30.10. THE OPERATOR SHALL ALSO BE REQUIRED TO BE FAMILIAR WITH THE HOIST AND HOIST CONTROLS BEFORE BEING AUTHORIZED TO OPERATE THE HOIST OR LIFTING SYSTEM.

HOIST OPERATORS SHOULD BE TRAINED IN PROPER RIGGING PROCEDURES FOR THE ATTACHMENT OF LOADS TO THE HOIST HOOK.

HOIST OPERATORS SHOULD BE TRAINED TO BE AWARE OF POTENTIAL MALFUNCTIONS OF THE EQUIPMENT THAT REQUIRE ADJUSTMENT OR REPAIR, AND TO BE INSTRUCTED TO STOP OPERATION IF SUCH MALFUNCTIONS OCCUR, AND TO IMMEDIATELY ADVISE THEIR SUPERVISOR SO CORRECTIVE ACTION CAN BE TAKEN.

HOIST OPERATORS SHOULD HAVE NORMAL DEPTH PERCEPTION, FIELD OF VISION, REACTION TIME, MANUAL DEXTERITY, AND COORDINATION.

HOIST OPERATORS SHOULD **NOT** HAVE A HISTORY OF OR BE PRONE TO SEIZURES, LOSS OF PHYSICAL CONTROL, PHYSICAL DEFECTS, OR EMOTIONAL INSTABILITY THAT COULD RESULT IN ACTIONS OF THE OPERATOR BEING A HAZARD TO THE OPERATOR OR TO OTHERS.

HOIST OPERATORS SHOULD **NOT** OPERATE A HOIST OR LIFTING SYSTEM WHEN UNDER THE INFLUENCE OF ALCOHOL, DRUGS, OR MEDICATION.

OVERHEAD HOISTS ARE INTENDED ONLY FOR VERTICAL LIFTING SERVICE OF FREELY SUSPENDED UNGUIDED LOADS. DO **NOT** USE HOIST FOR LOADS THAT ARE NOT LIFTED VERTICALLY, LOADS THAT ARE NOT FREELY SUSPENDED, OR LOADS THAT ARE GUIDED.

#### **NOTICE**

- Read ANSI/ASME B30.16 and ANSI/ASME B30.10.
- Read the hoist manufacturer's Operating and Maintenance Instructions.
- Read all labels attached to equipment.

The operation of an overhead hoist involves more than activating the hoist's controls. Per the ANSI/ASME B30 standards, the use of an overhead hoist is subject to certain hazards that cannot be mitigated by engineered features, but only by the exercise of intelligence, care, common sense, and experience in anticipating the effects and results of activating the hoist's controls. Use this guidance in conjunction with other warnings, cautions, and notices in this manual to govern the operation and use of your overhead hoist.

## 4.2 Shall's and Shall Not's for Operation

### **WARNING**

Improper operation of a hoist can create a potentially hazardous situation which, if not avoided, could result in death or serious injury, and substantial property damage. To avoid such a potentially hazardous situation **THE OPERATOR SHALL:**

- **NOT** lift more than rated load for the hoist.
- **NOT** operate unless load is centered under hoist.
- **NOT** use damaged hoist or hoist that is not working properly.
- **NOT** use hoist with twisted, kinked, damaged, or worn chain.
- **NOT** use the hoist to lift, support, or transport people.
- **NOT** lift loads over people.
- **NOT** apply load unless load chain is properly seated in the load sheave (and idle sheave for hoist with two chain falls).
- **NOT** use the hoist in such a way that could result in shock or impact loads being applied to the hoist.
- **NOT** attempt to lengthen the load chain or repair damaged load chain.
- **NOT** operate hoist when it is restricted from forming a straight line from hook to hook in the direction of loading.
- **NOT** use load chain as a sling or wrap load chain around load.
- **NOT** apply the load to the tip of the hook or to the hook latch.
- **NOT** apply load if binding prevents equal loading on all load-supporting chains.
- **NOT** operate beyond the limits of the load chain travel.
- **NOT** operate hoist with missing/damaged cushion rubbers, stoppers or washers.
- **NOT** leave load supported by the hoist unattended unless specific precautions have been taken.
- **NOT** allow the chain, or hook to be used as an electrical or welding ground.
- **NOT** allow the chain, or hook to be touched by a live welding electrode.
- **NOT** remove or obscure the warnings on the hoist.
- **NOT** operate a hoist on which the safety placards or decals are missing or illegible.
- Be familiar with operating controls, procedures, and warnings.
- Make sure the unit is securely attached to a suitable support before applying load.
- Make sure load slings or other approved single attachments are properly sized, rigged, and seated in the hook saddle.
- Take up slack carefully - make sure load is balanced and load-holding action is secure before continuing.
- Make sure all persons stay clear of the supported load.
- Protect the hoist's load chain from weld splatter or other damaging contaminants.
- Report Malfunctions or unusual performances (including unusual noises) of the hoist and remove the hoist from service until the malfunction or unusual performance is resolved.
- Make sure hoist limit switches function properly.
- Warn personnel before lifting or moving a load.
- Warn personnel of an approaching load.

## **⚠ CAUTION**

Improper operation of a hoist can create a potentially hazardous situation which, if not avoided, could result in minor or moderate injury, or property damage. To avoid such a potentially hazardous situation **THE OPERATOR SHALL:**

- Maintain a firm footing or be otherwise secured when operating the hoist.
- Check brake function by tensioning the hoist prior to each lift operation.
- Use hook latches. Latches are to retain slings, chains, etc. under slack conditions only.
- Make sure the hook latches are closed and not supporting any parts of the load.
- Make sure the load is free to move and will clear all obstructions.
- Avoid swinging the load or hook.
- Make sure hook travel is in the same direction as shown on controls.
- Inspect the hoist regularly, replace damaged or worn parts, and keep appropriate records of maintenance.
- Use the hoist manufacturer's recommended parts when repairing the unit.
- Lubricate load chain per hoist manufacturer's recommendations.
- **NOT** use the hoist load limiting or warning device to measure load.
- **NOT** use limit switches as routine operating stops. They are emergency devices only.
- **NOT** allow your attention to be diverted from operating the hoist.
- **NOT** allow the hoist to be subjected to sharp contact with other hoists, structures, or objects through misuse.
- **NOT** adjust or repair the hoist unless qualified to perform such adjustments or repairs.

### 4.3 Hoist Controls

- 4.3.1 Single Speed Pendant Control – When using the pendant control depress the up button to raise the hoist or the down button to lower the hoist as shown in Figure 4-1 below. To stop motion release the buttons.
- 4.3.2 Dual Speed Pendant Control – Pendant controls supplied with dual speed hoists have two step control buttons. For low speed depress the button to the first step and for high speed depress the button fully to the second step. Use the up button to raise the hoist or the down button to lower the hoist as shown in Figure 4-1 below. To stop motion release the buttons.
- 4.3.3 **⚠ CAUTION** Make sure the motor completely stops before reversing direction.

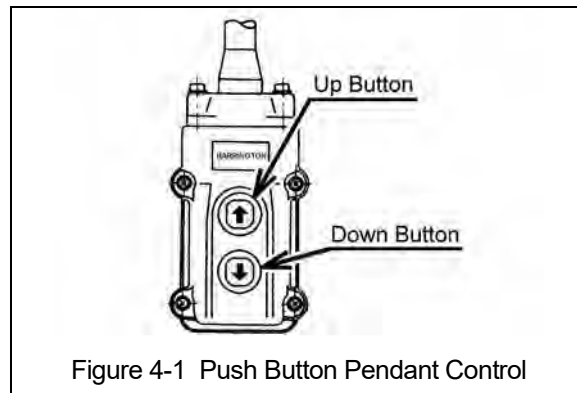
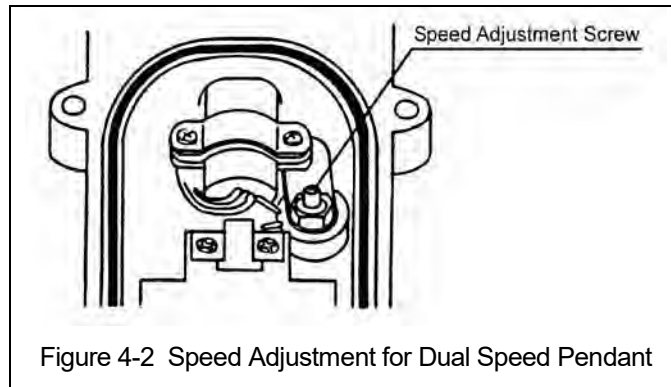


Figure 4-1 Push Button Pendant Control

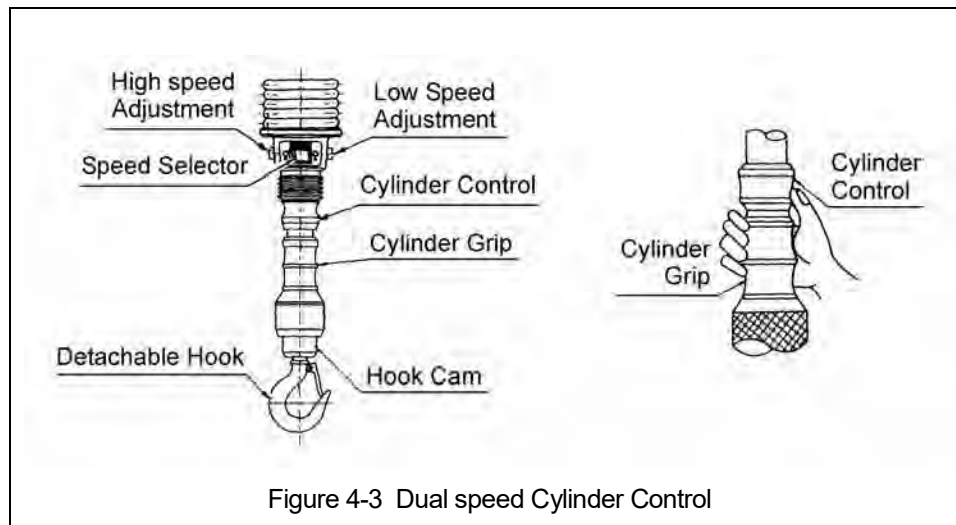
4.3.4 Dual Speed Pendant Model (DS) Low Speed Adjustment – The Pendant has a low speed adjustment which allow the low speed to be adjusted to suit the application or compensate for low or high supply voltage. Adjust the low speed as follows:

- 1) **⚠ DANGER** Before proceeding, ensure that the electrical supply for the hoist or trolley has been de-energized (disconnected). Lock out and tag out in accordance with ANSI Z244.1 “Personnel Protection -Lockout/Tagout of Energy Sources”.
- 2) Open the back cover of the Pendant (as depicted in Figure 4-2).
- 3) Turn the Speed Adjustment Screw clockwise to increase the low speed or counterclockwise to decrease it.
- 4) Close the back of the push button switch.

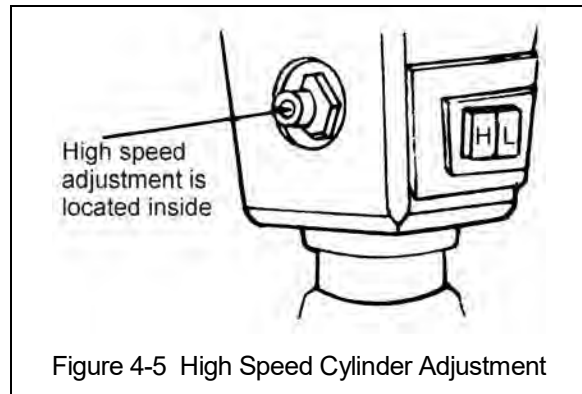
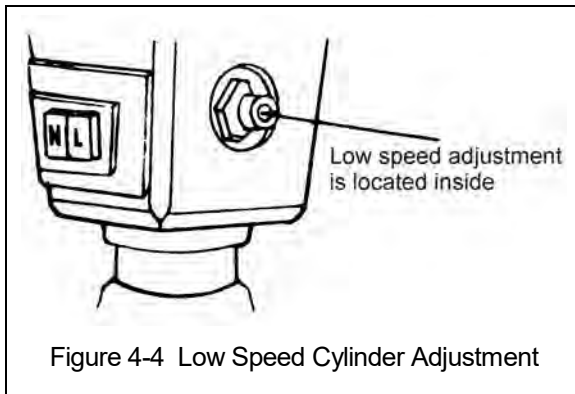


4.3.5 Dual Speed Cylinder Control (DA) –The in-line hand grip and switch assembly is directly attached to the Bottom Hook. As illustrated in Figure 4-3, the switch is cylinder shaped.

- Lifting And Lowering - The load is lifted when the Cynider Control is pushed up and lowered when pushed down.
- Speed Selection – Press the Speed Selector Switch to select low or high speed. “H” on the left side is high speed and “L” on the right is low speed. The red light on the left illuminates when high speed is selected and the green light on the right illuminates when low speed is selected.



- 4.3.6 Dual Speed Cylinder Control (DA) Model (DS) Low and High Speed Adjustment – The controller has speed adjustments which allow the lifting and lowering speeds to be adjusted to suit the application or compensate for low or high supply voltage. Turn the Low Speed Adjustment Switch (right side of operating box) or High Speed Adjustment Switch (left side of operating box, model ED3 only) with screw driver or the knob provide to adjust the speed. To increase the speed, turn the speed Adjustment Switch clockwise; to decrease, turn it counterclockwise. Refer to Figure 4-4 and Figure 4-5.



- 4.3.7 Dual Speed Cylinder Control (DA) Model Detachable Hook – The Bottom Hook on the cylinder control DA model is removable. Remove and attach the Bottom Hook as follows:

- 1) Refer to Figure 4-3.
- 2) To detach the Bottom Hook rotate the Hook Cam to the left (counterclockwise).
- 3) To attach the Bottom Hook push the hook into the Hook Cam from the bottom until the hook snaps in place. Make certain the Hook Cam is fully rotated into the closed position.

**⚠ WARNING** Always make sure the Hook Cam is completely locked and that the hook will not detach.

#### 4.4 Electric Chain Hoist with Trolley

- 4.4.1 To operate the electric chain hoist with trolley, move it horizontally by either pushing the lifted load or the Load Chain.

- 4.4.2 **⚠ WARNING** Never pull the coiled cord, pendant or pendant cord. Pulling the coiled cord, pendant or the pendant cord may disconnect cord wires. Disconnectd wire(s) may cause a short circuit in the hoist body or any surrounding conductor, giving the operator electric shock.

- 4.4.3 **⚠ WARNING** Always move the hoist horizontally by grasping the cylinder grip or pushing the load.



## 5.0 Inspection

### 5.1 General

- 5.1.1 The inspection procedure herein is based on ANSI/ASME B30.16. The following definitions are from ANSI/ASME B30.16 and pertain to the inspection procedure below.
- **Designated Person** – a person selected or assigned as being competent to perform the specific duties to which he/she is assigned.
  - **Qualified Person** – a person who, by possession of a recognized degree or certificate of professional standing, or who, by extensive knowledge, training, and experience, has successfully demonstrated the ability to solve or resolve problems relating to the subject matter and work.
  - **Normal Service** – that distributed service which involves operation with randomly distributed loads within the rated load limit, or uniform loads less than 65% of rated load for not more than 25% of the time.
  - **Heavy Service** – that service which involves operation within the rated load limit which exceeds normal service.
  - **Severe Service** – that service which involves normal or heavy service with abnormal operating conditions.

### 5.2 Inspection Classification

- 5.2.1 Initial Inspection – prior to initial use, all new, altered, or modified hoists shall be inspected by a designated person to ensure compliance with the applicable provisions of this manual.
- 5.2.2 Inspection Classification – the inspection procedure for hoists in regular service is divided into two general classifications based upon the intervals at which inspection should be performed. The intervals in turn are dependent upon the nature of the critical components of the hoist and the degree of their exposure to wear, deterioration, or malfunction. The two general classifications are herein designated as FREQUENT and PERIODIC, with respective intervals between inspections as defined below.
- 5.2.3 FREQUENT Inspection – visual examinations by the operator or other designated personnel with intervals per the following criteria:
- Normal service – monthly
  - Heavy service – weekly to monthly
  - Severe service – daily to weekly
  - Special or infrequent service – as recommended by a qualified person before and after each occurrence.
- 5.2.4 PERIODIC Inspection – visual inspection by a designated person with intervals per the following criteria:
- Normal service – yearly
  - Heavy service – semiannually
  - Severe service – quarterly
  - Special or infrequent service – as recommended by a qualified person before the first such occurrence and as directed by the qualified person for any subsequent occurrences.

### 5.3 Frequent Inspection

- 5.3.1 Inspections should be made on a FREQUENT basis in accordance with Table 5-1, "Frequent Inspection." Included in these FREQUENT Inspections are observations made during operation for any defects or damage that might appear between Periodic Inspections. Evaluation and resolution of the results of FREQUENT Inspections shall be made by a designated person such that the hoist is maintained in safe working condition.

<b>Table 5-1 Frequent Inspection</b>
All functional operating mechanisms for maladjustment and unusual sounds.
Operation of limit switch and associated components
Hoist braking system for proper operation
Hooks in accordance with ANSI/ASME B30.10
Hook latch operation
Load chain in accordance with Section 5.7
Load chain reeving for compliance with Section 3.2

### 5.4 Periodic Inspection

- 5.4.1 Inspections should be made on a PERIODIC basis in accordance with Table 5-2, "Periodic Inspection." Evaluation and resolution of the results of PERIODIC Inspections shall be made by a designated person such that the hoist is maintained in safe working condition.
- 5.4.2 For inspections where load suspension parts of the hoist are disassembled, a load test per ANSI/ASME B30.16 must be performed on the hoist after it is re-assembled and prior to its return to service.

<b>Table 5-2 Periodic Inspection</b>
Requirements of frequent inspection.
Evidence of loose bolts, nuts, or rivets.
Evidence of worn, corroded, cracked, or distorted parts such as load blocks, suspension housing, chain attachments, clevises, yokes, suspension bolts, shafts, gears, bearings, pins and rollers.
Evidence of damage to hook retaining nuts or collars and pins, and welds or rivets used to secure the retaining members.
Evidence of damage or excessive wear of load and idler sheaves.
Evidence of excessive wear on motor or load brake.
Electrical apparatus for signs of pitting or any deterioration of visible controller contacts.
Evidence of damage of supporting structure or trolley, if used.
Function labels on pendant control stations for legibility.
Warning label properly attached to the hoist and legible (see Section 1.2).
End connections of load chain.

## 5.5 Occasionally Used Hoists

5.5.1 Hoists that are used infrequently shall be inspected as follows prior to placing in service:

- Hoist Idle More Than 1 Month, Less Than 1 Year: Inspect per FREQUENT Inspection criteria in Section 5.3.
- Hoist Idle More Than 1 Year: Inspect per PERIODIC Inspection criteria in Section 5.4.

## 5.6 Inspection Records

5.6.1 Dated inspection reports and records should be maintained at time intervals corresponding to those that apply for the hoist's PERIODIC interval per Section 5.2.4. These records should be stored where they are available to personnel involved with the inspection, maintenance, or operation of the hoist.

5.6.2 A long range chain inspection program should be established and should include records of examination of chains removed from service so a relationship can be established between visual observation and actual condition of the chain.

## 5.7 Inspection Methods and Criteria

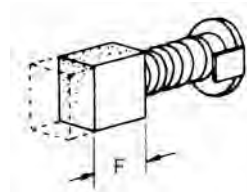
5.7.1 This section covers the inspection of specific items. The list of items in this section is based on those listed in ANSI/ASME B30.16 for the Frequent and Periodic Inspection. In accordance with ANSI/ASME B30.16, these inspections are not intended to involve disassembly of the hoist. Rather, disassembly for further inspection would be required if frequent or periodic inspection results so indicate. Such disassembly and further inspection should only be performed by a qualified person trained in the disassembly and re-assembly of the hoist.

<b>Item</b>	<b>Method</b>	<b>Criteria</b>	<b>Action</b>
Functional operating mechanisms.	Visual, Auditory	Mechanisms should be properly adjusted and should not produce unusual sounds when operated.	Repair or replace as required.
Limit Switch (model ED3)	Function	Proper operation. Actuation of limit switch should stop hoist.	Repair or replace as required.
Braking System Operation	Function	Braking distance with rated capacity should not exceed approximately five chain links.	Repair or replace as required.
Hooks - Surface Condition	Visual	Should be free of significant rust, weld splatter, deep nicks, or gouges.	Replace.
Hooks - Fretting wear	Measure	The "u" and "t" dimensions should not be less than discard value listed in <b>Table 5-5</b>	Replace.
Hooks - Stretch	Measure	The "k" dimension should not exceed the measured value for discard from <b>Table 5-5</b> (See <b>Section 3.9</b> ).	Replace.
Hooks - Bent Shank or Neck	Visual	Shank and neck portions of hook should be free of deformations.	Replace.
Hooks - Yoke Assembly	Visual	Should be free of significant rust, weld splatter, nicks, gouges. Holes should not be elongated, fasteners should not be loose, and there should be no gap between mating parts.	Tighten or replace as required.

**Table 5-3 Hoist Inspection Methods and Criteria**

<b>Item</b>	<b>Method</b>	<b>Criteria</b>	<b>Action</b>
Hooks - Swivel Bearing	Visual, Function	Bearing parts and surfaces should not show significant wear, and should be free of dirt, grime and deformations. Hook should rotate freely with no roughness.	Clean/lubricate, or replace as required.
Hooks - Hook Latches	Visual, Function	Latch should not be deformed. Attachment of latch to hook should not be loose. Latch spring should not be missing and should not be weak. Latch movement should not be stiff - when depressed and released latch should snap smartly to its closed position.	Replace.
Cylinder Hook Chuck - Ball Guide (DA Model)	Visual, Function	Ball Guide should not be worn or deformed. Ball Guide should interact properly with the Spring Collar to retain the hook shank.	Replace.
Load Chain - Surface Condition	Visual	Should be free of rust, nicks, gouges, dents and weld splatter. Links should not be deformed, and should not show signs of abrasion. Surfaces where links bear on one another should be free of significant wear.	Replace.
Load Chain - Pitch and Wire Diameter	Measure	The "P" dimension should not be greater than maximum value listed in <b>Table 5-6</b> . The "d" dimension should not be less than minimum value listed in <b>Table 5-6</b> .	Replace. Inspect Load Sheave by qualified person.
Load Chain - Lubrication	Visual, Auditory	Entire surface of each chain link should be coated with lubricant and should be free of dirt and grime. Chain should not emit cracking noise when hoisting a load.	Clean/lubricate (see <b>Section 6.1</b> ).
Load Chain - Reeving	Visual	Chain should be reeved properly through Load Sheave - refer to <b>Section 6.2</b> . Chain, Cushion Rubbers, Washers and Stoppers should be installed properly	Reeve/Install chain properly.
Chain Container (optional)	Visual	Container should not be damaged. Brackets should not be deformed or missing.	Replace
Housing and Mechanical Components	Visual, Auditory, Vibration, Function	Hoist components including load blocks, suspension housing, chain attachments, clevises, yokes, suspension bolts, shafts, gears, bearings, pins and rollers should be free of cracks, distortion, significant wear and corrosion. Evidence of same can be detected visually or via detection of unusual sounds or vibration during operation.	Replace.
Bolts, Nuts and Rivets	Visual, Check with Proper Tool	Bolts, nuts and rivets should not be loose.	Tighten or replace as required.
Motor Brushes	Measure, Visual	The "F" dimension should not be less than minimum value listed in <b>Table 5-4</b> .	Replace.
Contactors Contacts	Visual	Contacts should be free of significant pitting or deterioration	Replace.

<b>Item</b>	<b>Method</b>	<b>Criteria</b>	<b>Action</b>
Cushion Rubber	Visual	Should be free of significant deformation.	Replace.
Pendant - Switches	Function	Depressing and releasing push buttons should make and break contacts in switch contact block and result in corresponding electrical continuity or open circuit. Push buttons should be interlocked either mechanically or electrically to prevent simultaneous energization of circuits for opposing motions (e.g. up and down).	Repair or replace as necessary.
Pendant - Housing	Visual	Pendant housing should be free of cracks and mating surfaces of parts should seal without gaps.	Replace.
Pendant - Wiring	Visual	Wire connections to switches in pendant should not be loose or damaged.	Tighten or repair
Pendant - Cord	Visual, Electrical Continuity	Surface of cord should be free from nicks, gouges, and abrasions. Each conductor in cord should have 100% electrical continuity even when cord is flexed back-and-forth. Pendant Cord Strain Relief Cable should absorb the entire load associated with forces applied to the pendant.	Replace.
Pendant - Labels	Visual	Labels denoting functions should be legible.	Replace.
Warning Labels	Visual	Warning Labels should be affixed to the hoist (see <b>Section 1.2</b> ) and they should be legible.	Replace.
Hoist Capacity Label	Visual	The label that indicates the capacity of the hoist should be legible and securely attached to the hoist.	Replace.

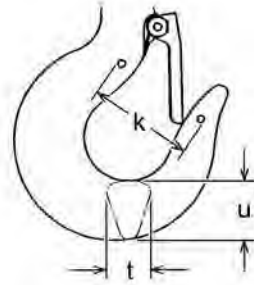
	
<b>Capacity (lbs)</b>	<b>“F” Dimension inch (mm)</b>
	<b>Discard</b>
125 to 525	0.31(8.0)

**Table 5-5 Top Hook & Bottom Hook Dimensions**

"k" Measured When New:

Top: \_\_\_\_\_

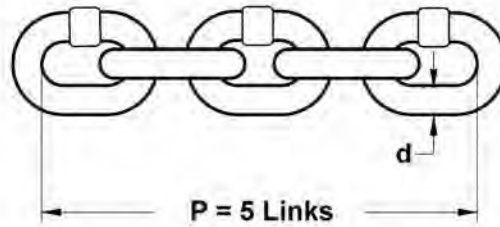
Bottom: \_\_\_\_\_



Capacity (lbs)	Hook	*Nominal "k" Dimension inch (mm)	"u" Dimension inch (mm)		"t" Dimension inch (mm)	
			Standard	Discard	Standard	Discard
125 to 525	Bottom	1.73(44)	0.67(17)	0.60(15.3)	0.48(12.1)	0.43(10.9)
	Top	1.77(45)	0.67(17)	0.60(15.3)	0.28(7.0)	0.25(6.3)

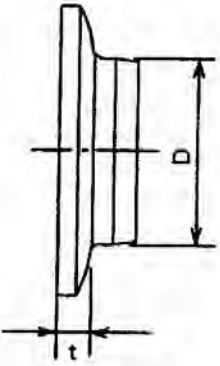
\* These values are nominal since the dimension is not controlled to a tolerance. The **"k" dimension** should be measured when the hook is new - this becomes a reference measurement. Subsequent measurements are compared to this reference to make determinations about hook deformation/stretch. See Section 5.7, "Hooks - Stretch".

**Table 5-6 Chain Wear Dimensions**



Capacity (lbs)	"P" Dimension inch (mm)		"d" Dimension Wear Limit Inch (mm)	
	Standard	Discard	Standard	Discard
125 to 525	2.38 (60.5)	2.43 (61.7)	0.16 (4.0)	0.13 (3.3)

Item	Method	Criteria	Action
Functional operating mechanisms.	Visual, Auditory	Mechanisms should be properly adjusted and should not produce unusual sounds when operated.	Repair or replace as required.
Mechanical Components	Visual, Auditory, Vibration, Function	Trolley components including, suspension shafts, track wheels, track wheel axles, suspension bolts, shafts, bearings and pins should be free of cracks, distortion, significant wear and corrosion. Evidence of same can be detected visually or via detection of unusual sounds or vibration during operation.	Replace.
Side Plates	Visual	Must be free of significant deformation	Replace.
Bolts, Nuts, Snap Rings, and Split Pins	Visual, Check with Proper Tool	Bolts, nuts, snap rings and split pins should not be loose.	Tighten or replace as required.
Track Wheel – Tread and Flange	Visual, Measure	Diameter of the tread surface and the thickness of the wheel flange should not be less than the discard value shown in <b>Table 5-8</b> .	Replace.
Suspension Bolts	Visual, Measure	Suspension bolts should not be bent. Diameter should not be worn by 10% or more.	Replace.
Warning Labels	Visual	Warning Labels should be affixed to the pendant cord (see <b>Section 1.2</b> ) and they should be legible.	Replace.
Trolley Capacity Label	Visual	The label that indicates the capacity of the trolley should be legible and securely attached to the trolley.	Replace.

			
<b>“D” Dimension inch (mm)</b>		<b>“t” Dimension inch (mm)</b>	
<b>Standard</b>	<b>Discard</b>	<b>Standard</b>	<b>Discard</b>
1.57 (40)	1.50 (38)	0.32 (8)	0.21 (5.33)

## 6.0 Maintenance and Handling

### 6.1 Lubrication

#### 6.1.1 Load Chain

- For longer life, the load chain should be lubricated.
- The load chain lubrication should be accomplished after cleaning the load chain with an acid free cleaning solution.
- Apply Harrington lubricating grease (Part No. ER1BS1951) or an equivalent to industrial general lithium grease, NLGI No. 0, to the bearing surfaces of the load chain links as indicated by the shaded areas in Figure 6-1. Also apply the grease to the areas of the load chain (shaded areas in Figure 6-1) that contact the load sheave. Insure that the grease is applied to the contact areas in the load sheave pockets.
- Machine or gear oil (grade ISO VG 46 or 68 oil or equivalent) may be used as an alternative lubricant but must be applied more frequently.

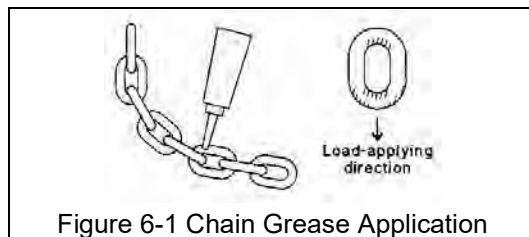


Figure 6-1 Chain Grease Application

- The chain should be lubricated every 3 months (more frequently for heavier usage or severe conditions).
- For dusty environments, it is acceptable to substitute a dry lubricant.

#### 6.1.2 Hooks and Suspension Components:

- Hooks - Bearings should be cleaned and lubricated at least once per year for normal usage. Clean and lubricate more frequently for heavier usage or severe conditions.
- Suspension Pins - Lubricate at least twice per year for normal usage; more frequently for heavier usage or severe conditions.

#### 6.1.3 Gear Box:

- **⚠ WARNING** Not using Harrington ED oil or the wrong quantity of oil may prevent the friction clutch from working properly and may affect the ability of the hoist to hold the load. Refer to Section 3.1 for the correct quantity.
- Change gear oil at least once every 5 years. The oil should be changed more frequently depending on the hoist's usage and operating environment.
- To change the gear oil, remove both fill and drain plugs and allow the old oil drain completely. Replace the drain plug and refill the gear case with the correct quantity of new oil or until the oil level is even with the bottom of the oil check hole. Refer to Figure 3-1.
- **NOTICE** Dispose of the used oil in accordance with local regulations.



## 6.2 Load Chain

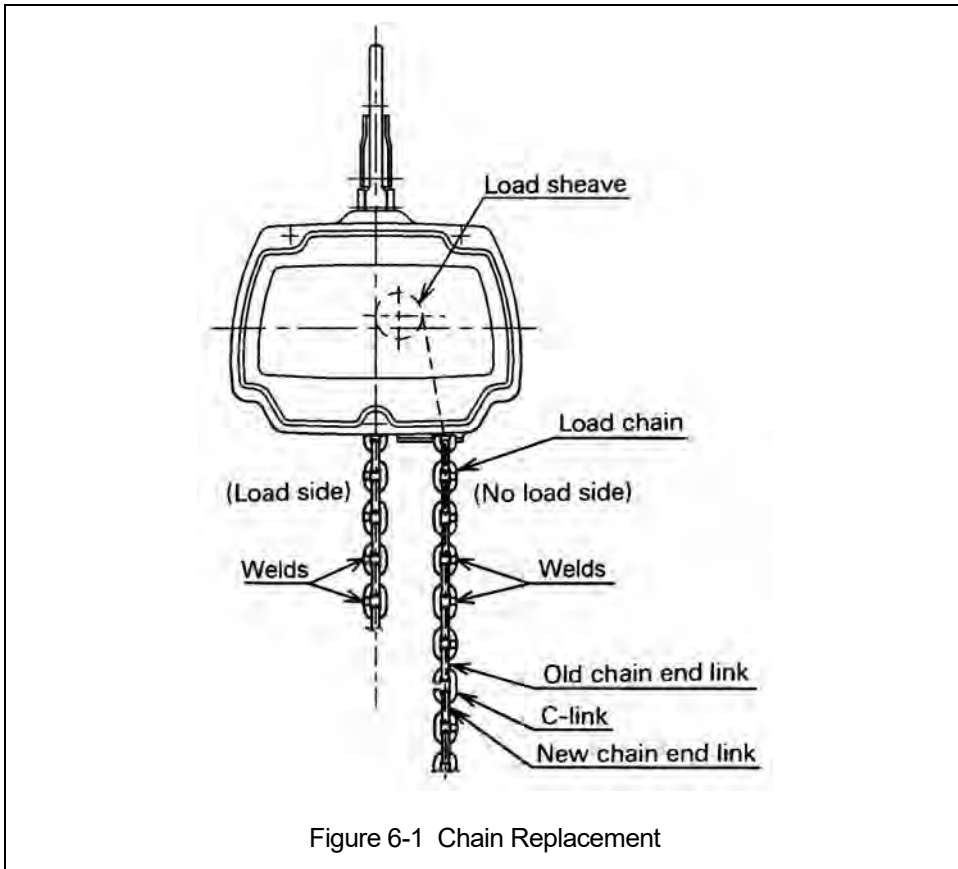
6.2.1 Lubrication and Cleaning – refer to Section 6.1.

6.2.2 Load Chain Replacement:

- 1) **⚠ CAUTION** The hoist must be properly powered and operational in order to perform the following procedures.
- 2) **⚠ WARNING** Be certain that the replacement Load Chain is obtained from Harrington and is the exact size, grade and construction as the original chain. The new Load Chain must have an odd number of links so that both its end links have the same orientation. If the Load Chain is being replaced due to damage or wear out, destroy the old chain to prevent its reuse.
- 3) **⚠ CAUTION** When replacing load chain, check for wear on mating parts, i.e. Load Sheave, Chain Guides and Idle Sheaves, and replace parts if necessary.
- 4) Remove all chain components including the Bottom Hook Set Assembly, Stoppers, Cushion Rubbers, Washers and Chain Pin from the chain for reuse on new chain. Inspect and replace any damaged or worn parts.
- 5) Using a C-link, attach the new chain to the end link of the old chain on the no-load side. The end link of the new Load Chain should be connected so that the welded portions of the Load Chain's standing links are oriented to the outside as they pass over the sheave. Refer to Figure 6-1.
- 6) Operate the hoist down to move the chain through the hoist body. Stop when a sufficient amount of new chain is accumulated on the load side.
- 7) Attach the chain components (step 4 above) to the chain. Refer to Section 3.2 for the proper locations.
- 8) **⚠ WARNING** Make sure Stoppers, Cushion Rubbers, Washers and Split Pins are properly installed.
- 9) After installation has been completed, perform steps outlined in Section 3.8 "Pre-operational Checks and Trial Operation".

## 6.3 Mechanical Load Brake with Friction Clutch

6.3.1 Mechanical Load Brake with Friction Clutch – If abnormal operation or slippage occurs do NOT attempt to disassemble or adjust the Mechanical Load Brake with Friction Clutch. Replace the worn or malfunctioning Mechanical Load Brake with Friction Clutch as an assembly with a new, factory adjusted part.



## 6.4 Fuses

6.4.1 Spare fuses are attached inside the controller cover (the capacity/nameplate side). The fuse sizes are shown in the Table 6-1.

Capacity (lbs)	Main Fuse Rating (Amps)
125	10
220	
250	
350	15
400	10
525	15

6.4.2 In addition, current model DS and DA units have a second smaller fuse (5 x 20mm) rated at 0.1 AMPS.

## 6.5 Storage

6.5.1 The storage location should be clean and dry.

## **6.6 Outdoor Installation**

- 6.6.1 For hoist installations that are outdoors, the hoist should be covered when not in use.
- 6.6.2 Possibility of corrosion on components of the hoist increases for installations where salt air and high humidity are present. Make frequent and regular inspections of the unit's condition and operation.

## 7.0 Troubleshooting

### **WARNING**

#### **HAZARDOUS VOLTAGES ARE PRESENT IN THE HOIST AND IN CONNECTIONS BETWEEN COMPONENTS.**

Before performing ANY troubleshooting on the equipment, de-energize the supply of electricity to the equipment, and lock and tag the supply device in the de-energized position. Refer to ANSI Z244.1, "Personnel Protection - Lockout/Tagout of Energy Sources."

Only Trained and competent personnel should inspect and repair this equipment.

**Table 7-1 Troubleshooting Guide**

<b>Symptom</b>	<b>Cause</b>	<b>Remedy</b>
Hoist will not operate	Loss of power	Check circuit breakers, switches, fuses and connections on power lines/cable.
	Wrong voltage or frequency	Check voltage and frequency of power supply against the rating on the nameplate of the motor.
	Hoist overload	Reduce load to within rated capacity of hoist.
	Improper, loose, or broken wire in hoist electrical system	Shut off power supply, check wiring connections on hoist control panel and inside push-button pendant.
	Faulty magnetic contactor	Check coil for open or short circuit. Check all connections in the control circuit. Check for open contacts. Replace as needed.
	Motor burned out	Replace motor frame/stator, shaft/rotor, and any other damaged parts.
	Fuses burned out	Replace fuses.
	Brush wear	Inspect both motor brushes per Table 5-4 and replace if necessary.
Hoist lifts but will not lower	Down circuit open	Check circuit for loose connections. Check down side of limit switch for malfunction.
	Broken conductor in pendant cord	Check the continuity for each conductor in the cable. If one is broken, replace entire cable.
	Faulty magnetic contactors	Check coils for open or short circuit. Check all connections on motor circuit. Check for burned contacts. Replace as needed.
	Faulty switch in pendant	Check electrical continuity. Check electrical connections. Replace or repair as needed.

<b>Table 7-1 Troubleshooting Guide</b>		
<b>Symptom</b>	<b>Cause</b>	<b>Remedy</b>
Hoist lowers but will not lift	Hoist overloaded	Reduce load to within rated capacity of hoist.
	Low voltage in hoist's power supply	Determine cause of low voltage and bring to within plus or minus 10% of the voltage specified on the motor nameplate. The voltage should be measure at the hoist contactor.
	Up circuit open	Check circuit for loose connections. Check up side of limit switch for malfunction.
	Broken conductor in pendant cord	Check the continuity of each conductor in the cable. If one is broken, replace entire cable.
	Faulty magnetic contactor	Check coils for open or short circuit. Check all connections on motor circuit. Check for burned contacts. Replace as needed.
	Faulty switch in pendant	Check electrical continuity. Check electrical connections. Replace or repair as needed.
	Faulty friction clutch	Repair by a qualified person trained in the repair of hoists and proper friction clutch adjustment procedures. Replace as needed.
Hoist will not lift rated load or does not have the proper lifting speed	Hoist overloaded	Reduce load to within rated capacity.
	Low voltage in hoist's power supply	Determine cause of low voltage and bring to within plus or minus 10% of voltage specified on the motor nameplate. The voltage should be measured at the hoist contactor.
	Faulty friction clutch	If abnormal operation or slippage occurs do NOT attempt to disassemble or adjust the Mechanical Load Brake with Friction Clutch. Replace the worn or malfunctioning Mechanical Load Brake with Friction Clutch as an assembly with a new, factory adjusted part.
Load drifts excessively when hoist is stopped	Mechanical Load brake not holding	Replace as needed.
	Improper gear oil	Replace oil with the correct Harrington ED gear oil.
	Motor demagnetized	Motor demagnetizing is generally caused from using the hoist beyond it's duty rating. Replace stator assembly and reduce usage to comply with the duty rating stated in Table 2-1.
	Dynamic brake resistor burned out	Check resistance and replace if necessary.

**Table 7-1 Troubleshooting Guide**

<b>Symptom</b>	<b>Cause</b>	<b>Remedy</b>
Hoist operates intermittently	Collectors making poor contact	Check movement of spring loaded arm, weak spring, connections, and shoe. Replace as needed.
	Contactors contacts arcing	Check for burned contacts. Replace as needed.
	Loose connection in circuit	Check all wires and terminals for bad connections. Replace as needed.
	Broken conductor in Pendant Cord	Check for intermittent continuity in each conductor the Pendant Cord. Replace entire Pendant Cord if continuity is not constant.
DA Model - Hook drops out of cylinder chuck	Worn or deformed Ball Guide Tube	Check Ball Guide Tube for excessive wear or deformation. Replace as needed.
Actuation of Limit Switch does not stop hoist	Limit switch defective	Repair or replace as required.
	Bent or worn lever; Lever should move freely.	Repair or replace as required.

## 8.0 Warranty

All products sold by Harrington Hoists, Inc. are warranted to be free from defects in material and workmanship from date of shipment by Harrington for the following periods:

- 1 year – Electric and Air Powered Hoists (excluding (N)ER2 Enhanced Features Models), Powered Trolleys, Powered Tiger Track Jibs and Gantries, Crane Components, Sling Chain, Spare / Replacement Parts**
- 2 years – Manual Hoists & Trolleys, Beam Clamps**
- 3 years – (N)ER2 Enhanced Features Model Hoists**
- 5 years – Manual Tiger Track Jibs and Gantries, TNER Pull - Rotor Motor Brake**
- 10 years – (N)ER2 “The Guardian” Smart Brake**

The product must be used in accordance with manufacturer’s recommendations and must not have been subject to abuse, lack of maintenance, misuse, negligence, or unauthorized repairs or alterations.

Should any defect in material or workmanship occur during the above time period in any product, as determined by Harrington Hoist’s inspection of the product, Harrington Hoists, Inc. agrees, at its discretion, either to replace (not including installation) or repair the part or product free of charge and deliver said item F.O.B. Harrington Hoists, Inc. place of business to customer.

Customer must obtain a Return Goods Authorization as directed by Harrington or Harrington’s published repair center prior to shipping product for warranty evaluation. An explanation of the complaint must accompany the product. Product must be returned freight prepaid. Upon repair, the product will be covered for the remainder of the original warranty period.

Replacement parts installed after the original warranty period will only be eligible for replacement (not including installation) for a period of one year from the installation date. If it is determined there is no defect, or that the defect resulted from causes not within the scope of Harrington’s warranty, the customer will be responsible for the costs of returning the product. Harrington Hoists, Inc. disclaims any and all other warranties of any kind expressed or implied as to the product’s merchantability or fitness for a particular application. Harrington will not be liable for death, injuries to persons or property or for incidental, contingent, special or consequential damages, loss or expense arising in connection with the use or inability whatever, regardless of whether damage, loss or expense results from any act or failure to act by Harrington, whether negligent or willful, or from any other reason.

## 9.0 Parts List

When ordering Parts, please provide the Hoist code number, lot number and serial number located on the Hoist nameplate (see fig. below).

Reminder: Per sections 1.1 and 3.9.4 to aid in ordering Parts and Product Support, record the Hoist code number, lot number and serial number in the space provided on the cover of this manual.



The parts list is arranged into the following sections:

<b>Section</b>	<b>Page</b>
9.1 Housing, Motor, and Gearing Parts.....	41
9.2 Power Supply and Pendant Parts .....	45
9.3 Electric Parts .....	49
9.4 Mini Trolley Parts.....	51

A designator is used to distinguish parts that apply only to a particular model or option. Refer to Section 2 for hoist model numbers and additional descriptions. The designators are:

- S = Single Speed
- DS = Dual Speed
- DA= Dual Adjustable Speed



## 9.1 Housing, Motor, and Gear Parts

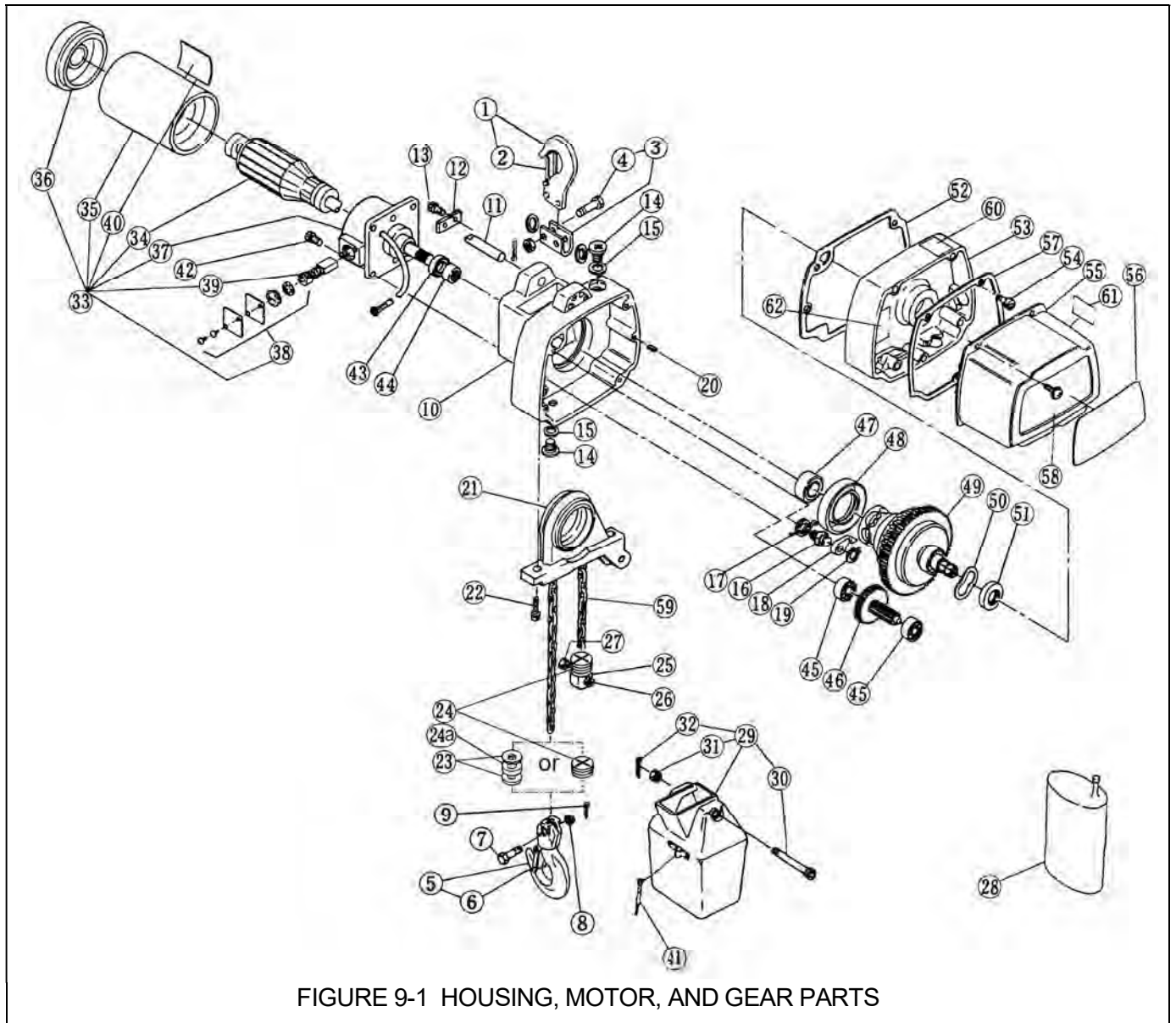


FIGURE 9-1 HOUSING, MOTOR, AND GEAR PARTS

## 9.1 Housing, Motor, and Gear Parts

Fig. No.	Part Name	Parts Per Hoist	Capacity (lbs.)					
			125	220	250	400	350	525
1	Top Hook Assembly	1	E2D1001125					
2	Hook Latch Assembly	1	L41071008					
3	Top Yoke Complete Set	1	E2D1011125					
4	Top Pin Assembly	2	M3041010					
5	Bottom Hook Comp. Set	1	E2D1021125					
6	Latch Assembly. B	1	CF071005					
7	Chain Pin	1	E2D041125					
8	Slotted Nut	1	E2D049125					
9	Split Pin	1	9009402					
10	Body (ED2B Model)	1	E2D101125			E2D101350		
	Body (ED3A Model)	1	E3DBX10S9101			E3DBX24S9101		
11	Top Pin E	1	E2D117125			E2D117350		
12	Shaft Stopper	1				E2D118350		
13	Socket Bolt w/ Spring Washer	2				E2D072350		
14	Oil Plug	2	E3S111003					
15	Plug Packing	2	E3S112003					
16	Pawl Pin	1	E2D269125					
17	Pawl Spring	1	E2D270125					
18	Pawl	1	L4155015					
19	Snap Ring	1	L4188015					
20	Set Pin	2	CF083020					
21	Chain Guide (ED2B Model)	1	E2D401125			E2D401350		
	Chain Guide (ED3A Model)	1	E3DBX10S9401			E3DBX24S9401		
22	Socket Bolt w/ Spring Washer	2	E2D451125					
23	Washer (ED2B Model only)	2	E2D048125					
24	Cushion Rubber (ED3A Model)	2	* E3DBX10S9046					
24a	Cushion Rubber (ED2B Model)	2	E2D046125					
25	Stopper	1	E1DBX10S9045					
26	Socket Bolt w/ Spring Washer	1	E2D086125					
27	Lever Nut	1	E2D087125					
28	Gear Oil	1	E2D90B125			E2D90B350		
29	Chain Container 10 ft max lift for S&DS	1	E2D1831125					
	Chain Container 20 ft max lift for S&DS	1	E2D1835125					
	Chain Container 10 ft max lift for DA	1	E2D1831D125			E2D1831D350		
30	Socket Bolt BP	1	E2D854125					
31	U Nut	1	E2D853125					
32	Split Pin	1	9009402					
41	Clamp for DA	1	9006602					

\*Use this P/N as a replacement for Figure No.'s 23 & 24a. Can be used For ED2B & ED3A Models.

## 9.1 Housing, Motor, and Gear Parts

Fig. No.	Part Name	Parts Per Hoist	Capacity (lbs.)					
			125	220	250	400	350	525
33	Motor Complete Set for 120V, 50/60 Hz	1	E2D1501P125				E2D1501P350	
34	Armature Assembly for 120V, 50/60 Hz	1	7023001				E2D5508P350	
35	Stator Assembly	1	E2D5507P125				E2D5507P350	
36	Motor Cover	1	(Part of armature assembly)				E2D509P350	
37	Motor Flange	1	E2D506P125				E2D506P350	
38	Lid Assembly	2	E2D1510P125				E2D1510P350	
39	Carbon Brush	2	E2D502P125				E2D502P350	
40	Name Plate M	1	E2D802P125		E2D802P250		E2D802P350	
42	Socket Bolt w/ Spring Washer **	4	E2D162125 (M6 x 18mm)					
			J1BG20602222 (M6 x 22mm)					
43	Oil Seal	1	E2D221125					
44	Needle Roller Bearing	1	E2D222125					
45	Ball Bearing	2	9000100					
46	Gear #2 Assembly	1	E2D1223-125	E2D1223-220	E2D1223250		E2D1223-350	E2D1223-525
47	Ball Bearing	1	E2D238125				E2D238350	
48	Oil Seal	1	E2D236125				E2D236350	
49	Friction Clutch Assembly (Including Load Sheave)	1	E2D5234-125	E2D5234-220	E2D5234-250	E2D5234-400	E2D5234-350	E2D5234-525
50	Set Spring	1	E2D311125				E2D311350	
51	Oil Seal	1	E2D239125				E2D239350	
52	Gear Cast Packing	1	E2D125125				E2D125350	
53	Gear Case	1	E2D105125				E2D105350	
54	Socket Bolt w/ Spring Washer	4	E2D152125					
55	Controller Cover	1	E2D104125				E2D104350	
56	Name Plate B (ED2B Model)	1	E2D801-125	E2D801-220	E2D801-250	E2D801-400	E2D801-350	E2D801-525
	Name Plate B (ED3A Model) Single Speed	1	EDHX06-S9801	EDHX10-S9801	EDHX18-S9801	EDHX18-S9800	EDHX16-S9801	EDHX24-S9801
	Name Plate B (ED3A Model) Dual Speed	1	EDHX06-R9801	EDHX10-R9801	EDHX18-R9801	EDHX18-R9800	EDHX16-R9801	EDHX24-R9801
57	Controller Cover Packing	1	E2D109125				E2D109350	
58	Machine Screw w/ Spring Washer	3	MS554010					
59	Load Chain	Ft.	LCED125NP					
60	Warning Seal EO	1	E2D865125					
61	Warning Seal EE	1	E2D866125					
62	Warning Seal EF	1	E2D867125					

\*\*Due to a design change, units in field may have E2D162125 (18mm long) or J1BG20602222 (22mm long).

**This Page Intentionally Left Blank**

## 9.2 Power Supply and Pendant Parts

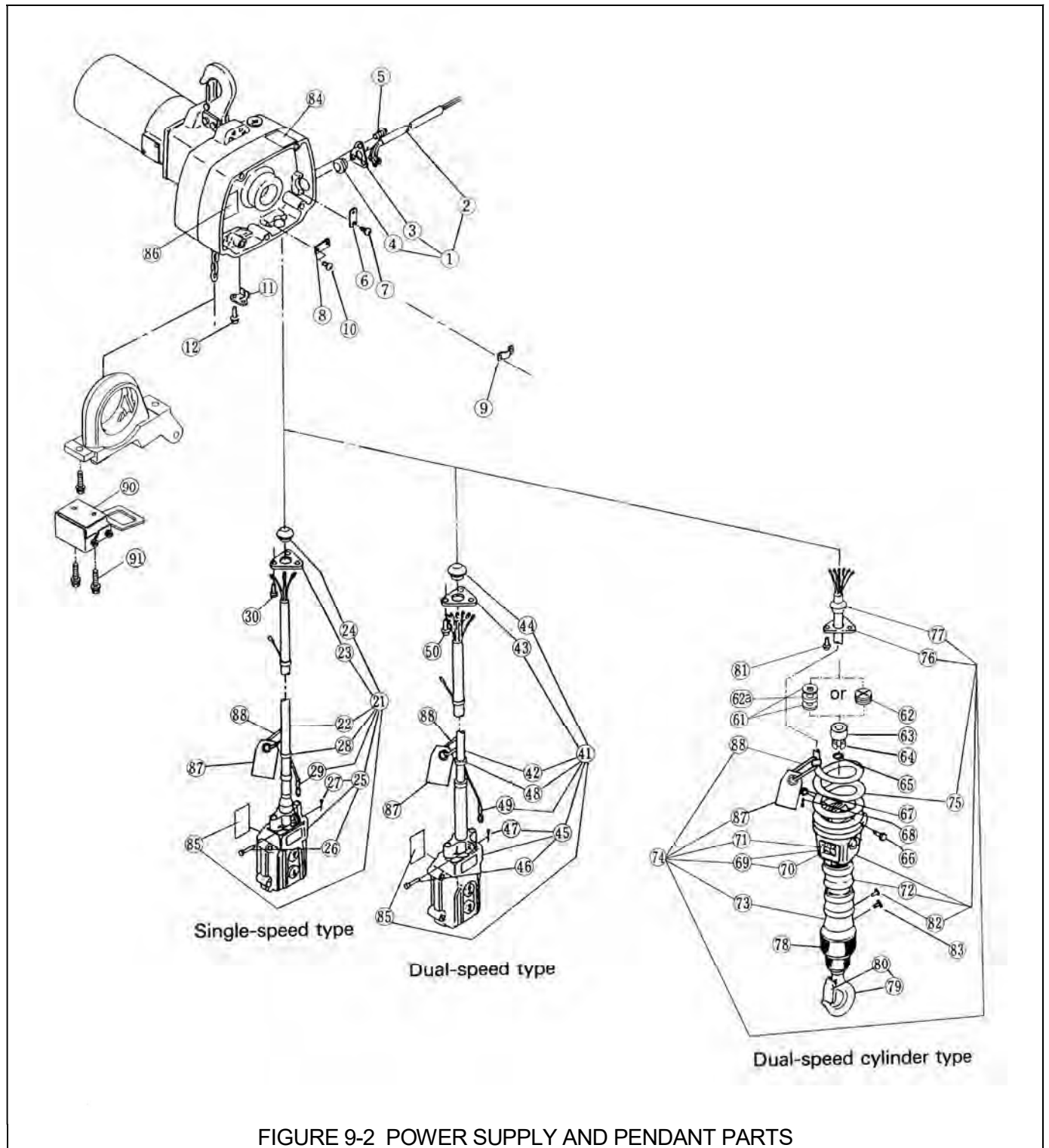


FIGURE 9-2 POWER SUPPLY AND PENDANT PARTS

## 9.2 Power Supply and Pendant Parts

Fig. No.	Part Name	Parts Per Hoist	Capacity (lbs.)					
			125	220	250	400	350	525
1	Power Supply Cable 3C Complete Set	1	E2D1521125					
2	Power Supply Cable 3C	1	16/3					
3	Cable Holder C	1	E2D537125					
4	Cable Packing C8	1	E2D524125					
5	Machine Screw w/ Spring Washer	3	MS554010					
6	Cable Clamp E8	1	E2D541125					
7	Machine Screw w/ Spring Washer	2	MS556010					
8	Cable Clamp E8 (Single Speed)	1	E2D541125					
9	Cable Clamp E12 (Dual/Cylinder)	1	E2D542125					
10	Machine Screw w/ Spring Washer	2	MS556010					
11	Cable Support L	1	E2D543125					
12	Machine Screw w/ Spring Washer	2	MS554010					
21	Push Button Cord 3C Complete Set	1	E2D1607P125				E2D1607P350	
22	Push Button Cord 3C	FT	16/3P					
23	Cable Holder C	1	E2D537125					
24	Cable Packing C8	1	E2D524125					
25	Push Button Switch S Assembly	1	E2D1615125					
26	Cord Chain Pin	1	ES628003					
27	Split Pin	1	9009402					
28	Lock-Belt	3	E2D640125					
29	Fixing Sleeve	1	9012301					
30	Machine Screw w/ Spring Washer	3	MS554010					
41	Push Button Cord 6C Complete Set	1	E2D1607PD125				E2D1607PD350	
42	Push Button Cord 6C	FT	16/6P					
43	Cable Holder C	1	E2D537125					
44	Cable Packing C12	1	E2D525125					
45	Push Button Switch D Assembly	1	E2D1615D125					
46	Cord Chain Pin	1	ES628003					
47	Split Pin	1	9009402					
48	Lock-Belt	3	E2D640125					
49	Fixing Sleeve	1	9012301					
50	Machine Screw w/ Spring Washer	3	MS554010					
61	Washer (Model ED2B)	2	E2D048125					
62	Cushion Rubber (Model ED3A)	2	* E3DBX10S9046					
62a	Cushion Rubber (Model ED2B)	2	E2D046125					
63	Stopper Collar	1	E2D044125					
64	Stopper	2	E2D045125					
65	Snap Ring	1	9047220					
66	Chain Pin	1	E2D041125					

\*Use this item as a replacement for item 61 & 62a. Can be used for ED2B & ED3A Models.

## 9.2 Power Supply and Pendant Parts

Fig. No.	Part Name	Parts Per Hoist	Capacity (lbs.)					
			125	220	250	400	350	525
67	Slotted Nut	1	E2D049125					
68	Split Pin	1	9009402					
74	Push button Cord 6C Complete Set	1	E2D1607PD125C				E2D1607PD350C	
69	High/Low Switch Assembly (Rocker Switch Type)	1	E2DBX10F9770					
69	*High/Low Switch Assembly (Push Button Type)	1	* E2D60A125					
70	*High/Low Light	1	* E2D615125					
71	*Back Plate	1	*E2D60B125					
72	*Movable Grip	1	*E2D648125					
73	*Fixed Grip	1	*E2D649125					
75	Push Button Coil Cord 6C	1	E2D607H125					
76	Cable Holder C	1	E2D537125					
77	Cable Packing C12	1	E2D525125					
82	*Flat Head Screw for Fixed Grip	1	*9096528					
	**Truss Head Screw for Fixed Grip		**TRUSSM4X10					
87	Warning Tag LD	1	E2D931125					
88	Chain Stopper Link	1	E2D045D125					
78	Detachable Fitting E	1	E2D5041125					
79	Detachable Hook Assy.	1	E2D1002125					
80	Latch Assy.	1	CF071005					
81	Machine Screw w/ Spring Washer	1	E2D555125					
83	Flat Head Screw (attaches figure 79 to 74)	1	9096529					
84	Warning Seal EO	1	E2D865125					
85	Warning Seal EE	1	E2D866125					
86	Warning Seal EF	1	E2D867125					
90	Limit switch Assembly (ED3A Model only)	1	E3DBX10S1411				E3DBX24S1411	
91	Socket Bolt w/ Spring Washer (ED3A Model only)	2	J1BG2-0401010					

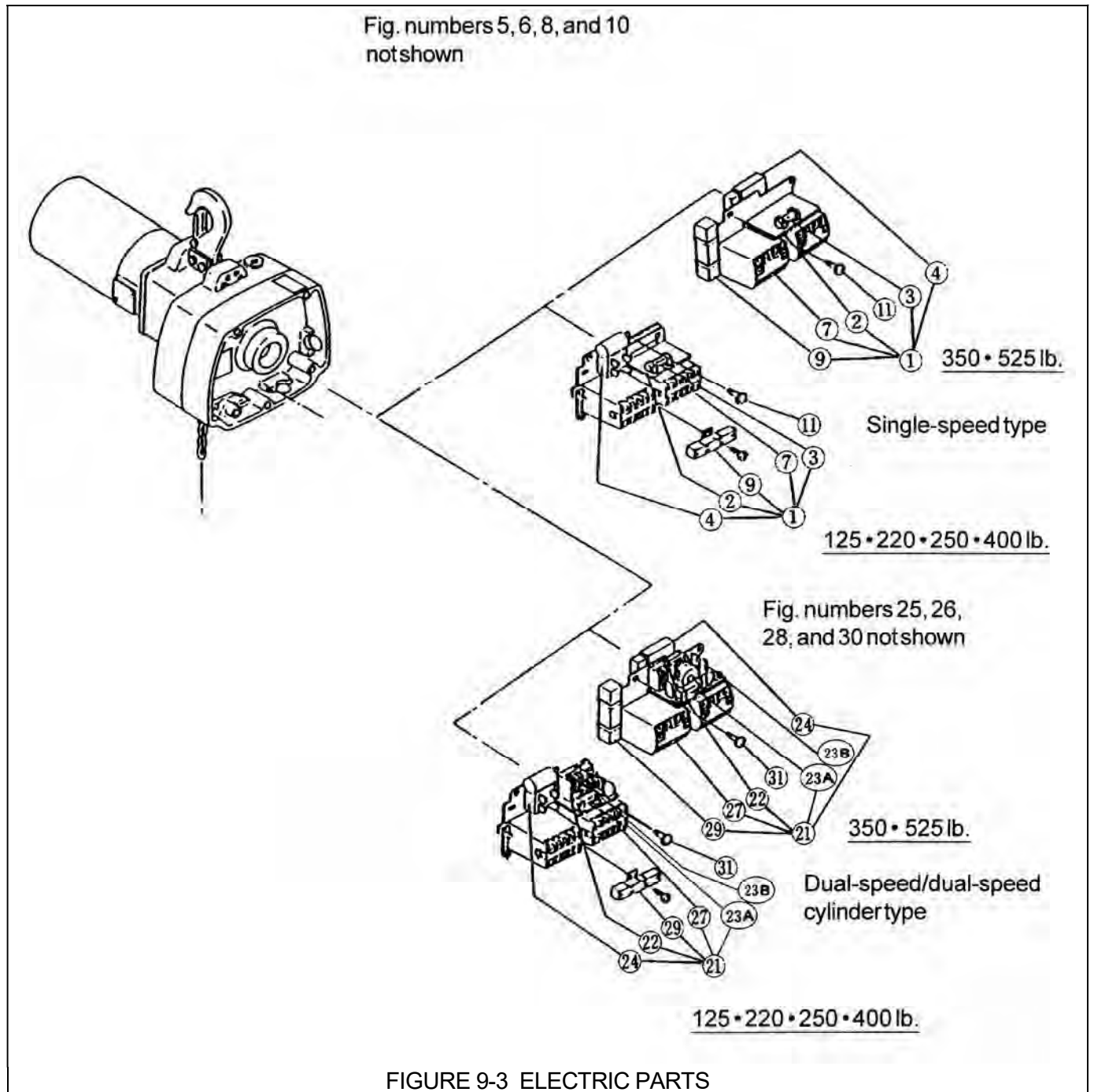
\* Available as an individual part only for models equipped with illuminated High/ Low push button switch.

\*\* For models with rubber bellow above the movable grip.

**This Page Intentionally Left Blank**



### 9.3 Electric Parts



### 9.3 Electric Parts

Fig. No.	Part Name	Parts Per Hoist	Capacity (lbs.)					
			125	220	250	400	350	525
1	Control Panel Complete Set	1	E2D1601P125				E2D1601P350	
2	Converter Assembly	1	E2D616125				E2D616350	
3	Fuse	1	E2D664125				E2D664350	
4	Silicone Stack Assembly	1	E2D622125				E2D622350	
5	Machine Screw w/ Spring Washer (for converter)	2	E2D667125					
6	Machine Screw w/ Spring Washer (for silicone stack)	1	MS557010					
7	Electromagnetic Contactor	2	E2D617P125					
	Electromagnetic Contactor Complete Set	1					E2D617P350	
8	Machine Screw w/ Spring Washer (for Contactor)	4	MS555010					
	Machine Screw w/ Spring Washer (for base)	4					E2D667125	
9	Resistor	1	E2D619P125				E2D619P350	
10	Machine Screw w/ Spring Washer (for resistor)	9					MS557010	
11	Socket Bolt w/ Spring Washer	3	E2D651125					
		4					E2D651350	
21	Control Panel Complete Set	1	E2D1601PD125				E2D1601PD350	
22	Converter Assembly	1	E2D616PD125				E2D616PD350	
23A	Fuse F2	1	E2D664125				E2D664350	
23B	Fuse F3 (0.1 AMP)	1	9006237					
24	Silicone Stack Assy.	1	E2D622125				E2D622350	
25	Machine Screw w/ Spring Washer (for converter)	2	E2D667125					
26	Machine Screw w/ Spring Washer (for silicone stack)	1	MS557010					
27	Electromagnetic Contactor	2	E2D617P125					
	Electromagnetic Contactor Complete Set	1					E2D617P350	
28	Machine Screw w/ Spring Washer (for Contactor)	5	MS555010					
	Machine Screw w/ Spring Washer (for base)	2					E2D667125	
29	Resistor	1	E2D619P125				E2D619P350	
30	Machine Screw w/ Spring Washer (for resistor)	9					MS557010	
31	Socket bolt w/ Spring Washer	3	E2D651125					
		4					E2D651350	

## 9.4 Mini Trolley Parts

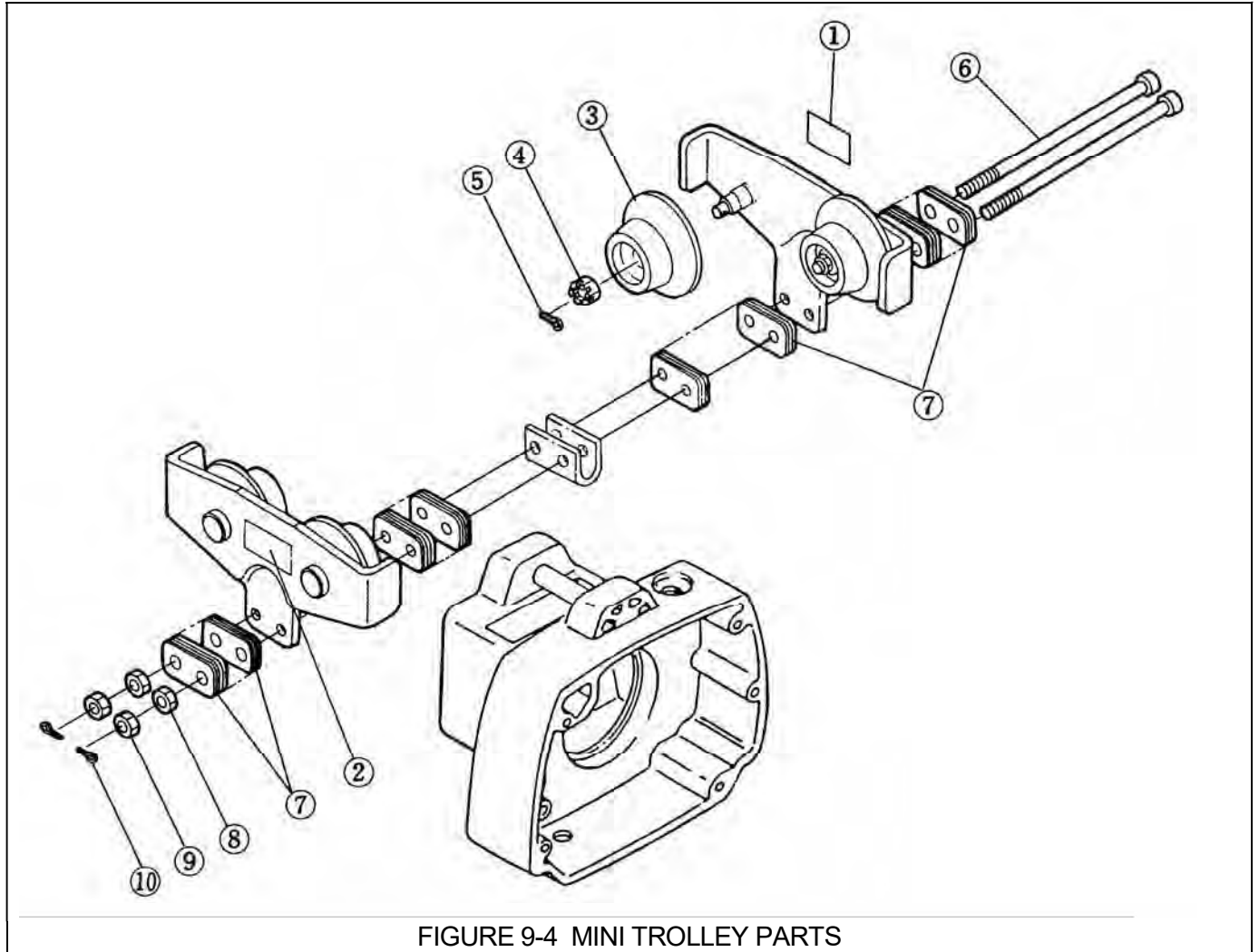


FIGURE 9-4 MINI TROLLEY PARTS

## 9.4 Mini Trolley Parts

Fig. No.	Part Name	Parts Per Hoist	Capacity (525lbs.)
1	Name Plate C	1	ET25801525
2	Name Plate B	1	ET25800525
3	Track Wheel Assembly	4	ET255102525
4	Slotted Nut	4	M2049010
5	Split Pin	4	9009411
6	Socket bolt	2	ET25115525
7	Adjusting Spacer	32	ET25116525
8	Nut	2	9093424
9	U Nut	2	ET25155525
10	Split Pin	2	9009411



Harrington Hoists, Inc.  
401 West End Avenue  
Manheim, PA 17545-1703  
Phone: 717-665-2000  
Toll Free: 800-233-3010  
Fax: 717-665-2861

Harrington Hoists – Western Division  
2341 Pomona Rd. #103  
Corona, CA 92880-6973  
Phone: 951-279-7100  
Toll Free: 800-317-7111  
Fax: 951-279-7500

**EDOM**