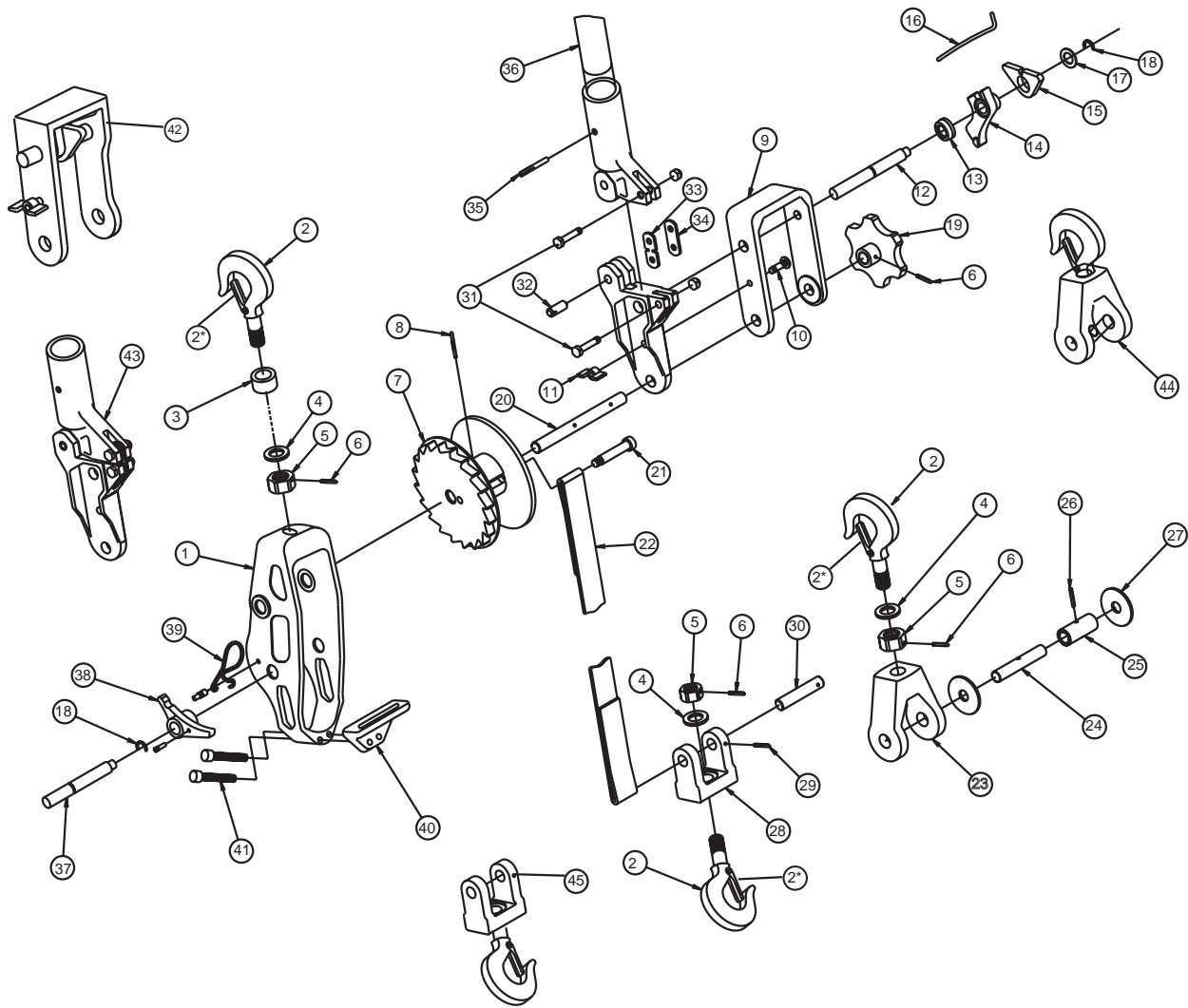


Model 2-A Web Strap

LUG-ALL®



Drawing Ref. No.	Description	Qty Req'd	Lug-All Part No.
1	Main Frame W/Bushing	1	605
2	Shank Hook W/Latch	3	138
2*	Shank Hook Latch Repair Kit	3	263
3	Hook Spacer	1	623
4	Hook Washer	3	118
5	Hook Nut	3	122
6	Hook Nut Locking Pin	3	123
7	Drum	1	606
8	Drum Shaft Locking Pin	1	134
9	U Frame (W/Handle Bolt)	1	343
10	Handle Bolt	1	133
11	Wing Nut	1	119
12	U Frame Pawl Shaft	1	192
13	Spring Support Roll	1	289
14	U Frame Pawl	1	103
15	Reverse Lever	1	288
16	U Frame Pawl Spring	1	130
17	Retaining Washer	1	291
18	Shaft Snap Washer	2	111
19	Wind Up Wheel W/Pin	1	352
20	Drum Shaft	1	353
21	Drum Anchor Screw	1	607
22	Web Strap	1	616

Drawing Ref. No.	Description	Quantity Req'd	Lug-All Part No.
23	Yoke	1	620
24	Pulley Shaft	1	622
25	Pulley Tube	1	621
26	Locking Pin	1	549
27	Pulley Washers (2)	1	544
28	Web To Hook Yoke	1	617
29	Shaft Locking Pin	1	143
30	Web Attachment Pin	1	618
31	Threaded Link Pins W/Nuts (2)	1	613-B
32	Pivot Pin for Socket	1	537
33	Stress Link	1	614
34	Overload Link	1	624
35	Groove Pin	1	517
36	Handle Tube W/Grip	1	611
37	Main Frame Pawl Shaft	1	127
38	Main Frame Pawl	1	113
39	Main Frame Pawl Spring	1	131
40	Web Guide	1	619
41	Web Guide Screws (2)	1	631
42	Complete U Frame Assy.	1	852
43	Handle Assy. W/O Tube	1	612
44	Complete Pulley Block Assy.	1	821
45	Complete Web End Assy.	1	829
	Complete Handle Assy.	1	610