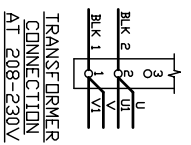
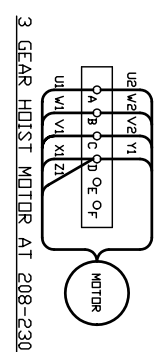
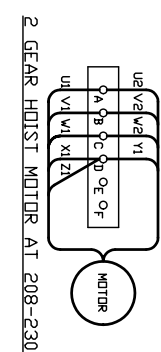
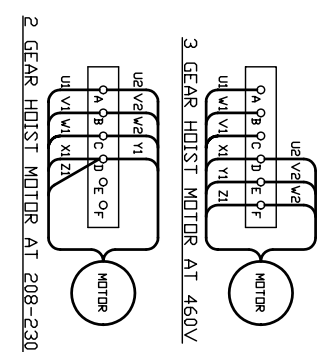
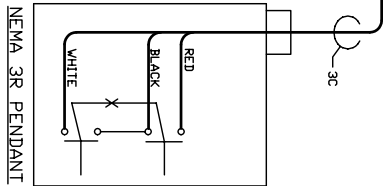
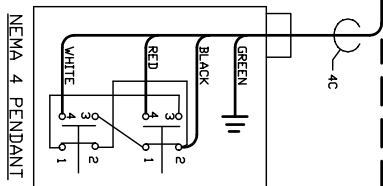


MODEL: ERIA & NERIA
 FOR: 1/8 TO 5 TON SINGLE SPEED HOIST.
 VOLTAGE: 208-230/460-3-60
 NOTES: 1) WRAP RED TAPE ON GREEN CONDUCTOR WHICH IS NOT USED FOR GROUNDING PURPOSES.
 2) IN THE 3C PENDANT CABLE, RED MAY BE GREEN/RED.



UNITS LISTED BY GEAR REDUCTION FOR MOTOR TERMINAL CONNECTIONS	2 GEAR	3 GEAR
ER001H	ER005L	
ER003H	ER003L	
ER005H	ER005L	
ER010H	ER010L	
ER020H	ER020L	
ER025H	ER025L	
ER030H	ER030L	
ER035H	ER035L	
ER040H	ER040L	
ER045H	ER045L	
ER050H	ER050L	
ER055H	ER055L	
ER060H	ER060L	
ER065H	ER065L	
ER070H	ER070L	
ER075H	ER075L	
ER080H	ER080L	
ER085H	ER085L	
ER090H	ER090L	
ER095H	ER095L	
ER100H	ER100L	
ER105H	ER105L	
ER110H	ER110L	
ER115H	ER115L	
ER120H	ER120L	
ER125H	ER125L	
ER130H	ER130L	
ER135H	ER135L	
ER140H	ER140L	
ER145H	ER145L	
ER150H	ER150L	
ER155H	ER155L	
ER160H	ER160L	
ER165H	ER165L	
ER170H	ER170L	
ER175H	ER175L	
ER180H	ER180L	
ER185H	ER185L	
ER190H	ER190L	
ER195H	ER195L	
ER200H	ER200L	
ER205H	ER205L	
ER210H	ER210L	
ER215H	ER215L	
ER220H	ER220L	
ER225H	ER225L	
ER230H	ER230L	
ER235H	ER235L	
ER240H	ER240L	
ER245H	ER245L	
ER250H	ER250L	
ER255H	ER255L	
ER260H	ER260L	
ER265H	ER265L	
ER270H	ER270L	
ER275H	ER275L	
ER280H	ER280L	
ER285H	ER285L	
ER290H	ER290L	
ER295H	ER295L	
ER300H	ER300L	
ER305H	ER305L	
ER310H	ER310L	
ER315H	ER315L	
ER320H	ER320L	
ER325H	ER325L	
ER330H	ER330L	
ER335H	ER335L	
ER340H	ER340L	
ER345H	ER345L	
ER350H	ER350L	
ER355H	ER355L	
ER360H	ER360L	
ER365H	ER365L	
ER370H	ER370L	
ER375H	ER375L	
ER380H	ER380L	
ER385H	ER385L	
ER390H	ER390L	
ER395H	ER395L	
ER400H	ER400L	
ER405H	ER405L	
ER410H	ER410L	
ER415H	ER415L	
ER420H	ER420L	
ER425H	ER425L	
ER430H	ER430L	
ER435H	ER435L	
ER440H	ER440L	
ER445H	ER445L	
ER450H	ER450L	
ER455H	ER455L	
ER460H	ER460L	
ER465H	ER465L	
ER470H	ER470L	
ER475H	ER475L	
ER480H	ER480L	
ER485H	ER485L	
ER490H	ER490L	
ER495H	ER495L	
ER500H	ER500L	
ER505H	ER505L	
ER510H	ER510L	
ER515H	ER515L	
ER520H	ER520L	
ER525H	ER525L	
ER530H	ER530L	
ER535H	ER535L	
ER540H	ER540L	
ER545H	ER545L	
ER550H	ER550L	
ER555H	ER555L	
ER560H	ER560L	
ER565H	ER565L	
ER570H	ER570L	
ER575H	ER575L	
ER580H	ER580L	
ER585H	ER585L	
ER590H	ER590L	
ER595H	ER595L	
ER600H	ER600L	
ER605H	ER605L	
ER610H	ER610L	
ER615H	ER615L	
ER620H	ER620L	
ER625H	ER625L	
ER630H	ER630L	
ER635H	ER635L	
ER640H	ER640L	
ER645H	ER645L	
ER650H	ER650L	
ER655H	ER655L	
ER660H	ER660L	
ER665H	ER665L	
ER670H	ER670L	
ER675H	ER675L	
ER680H	ER680L	
ER685H	ER685L	
ER690H	ER690L	
ER695H	ER695L	
ER700H	ER700L	
ER705H	ER705L	
ER710H	ER710L	
ER715H	ER715L	
ER720H	ER720L	
ER725H	ER725L	
ER730H	ER730L	
ER735H	ER735L	
ER740H	ER740L	
ER745H	ER745L	
ER750H	ER750L	
ER755H	ER755L	
ER760H	ER760L	
ER765H	ER765L	
ER770H	ER770L	
ER775H	ER775L	
ER780H	ER780L	
ER785H	ER785L	
ER790H	ER790L	
ER795H	ER795L	
ER800H	ER800L	
ER805H	ER805L	
ER810H	ER810L	
ER815H	ER815L	
ER820H	ER820L	
ER825H	ER825L	
ER830H	ER830L	
ER835H	ER835L	
ER840H	ER840L	
ER845H	ER845L	
ER850H	ER850L	
ER855H	ER855L	
ER860H	ER860L	
ER865H	ER865L	
ER870H	ER870L	
ER875H	ER875L	
ER880H	ER880L	
ER885H	ER885L	
ER890H	ER890L	
ER895H	ER895L	
ER900H	ER900L	
ER905H	ER905L	
ER910H	ER910L	
ER915H	ER915L	
ER920H	ER920L	
ER925H	ER925L	
ER930H	ER930L	
ER935H	ER935L	
ER940H	ER940L	
ER945H	ER945L	
ER950H	ER950L	
ER955H	ER955L	
ER960H	ER960L	
ER965H	ER965L	
ER970H	ER970L	
ER975H	ER975L	
ER980H	ER980L	
ER985H	ER985L	
ER990H	ER990L	
ER995H	ER995L	
ER1000H	ER1000L	

REVISION DESCRIPTION		NO.	DATE	BY	CHECKED BY
1 SWAPPED BLK1 & BLK2		1	1/28/98	TAF	
2 ADDED NOTES, REDRAWN		2	3/25/98	TAF	
3 CHANGED 10L TO S		3	10/15/98	KPN	
4 ADDED TITLE BLOCK PER ECN303		4	8/20/01	BAO	
5 SEE ECN 328 -ADD NER010M, NER020M & NER030C		5	2/6/02	KPN	2/6/02
6 REARRANGED CHART AND VIEWS		6	8/26/02	BAO	

TOLERANCES (EXCEPT AS NOTED)	
DECIMAL:	
FRACTIONAL:	
ANGULAR:	

DRAWING NO:		SCALE:		DRAWN BY:		CHECKED BY:		DATE:	
61100		FIT		BAO		BRD		11/16/98	

DRAWING NO:		SCALE:		DRAWN BY:		CHECKED BY:		DATE:	
61100		FIT		BAO		BRD		11/16/98	



WIRING DIAGRAM